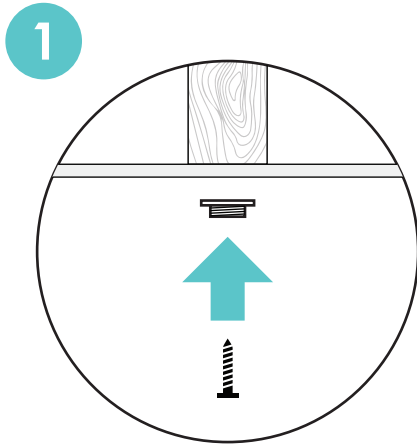


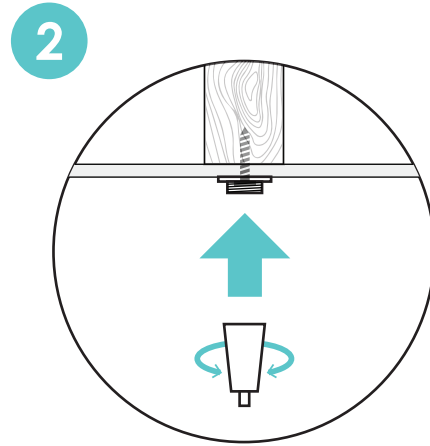
ARIDIA

The NZ made sustainable plant hanger

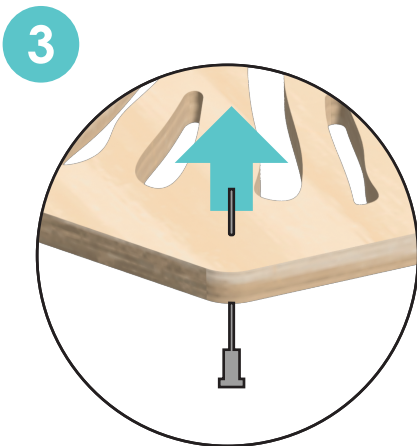
How to install



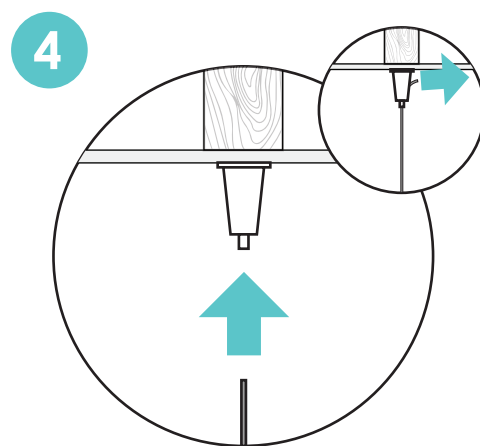
Screw the bottom cap of the ceiling mount into your ceiling. Screw directly into wood or use an anchor on plasterboard that can handle 40+kg.



Screw on the ceiling mount



Pull the hanging wire through the hole on the plant chandelier.



Insert hanging wire into ceiling mount.
Pressing the tip of the ceiling mount will allow the wire to eject back out. Adjust to best fit your space.

Important information

Indoor use: The Plant Chandelier has been designed for indoor use only.

Installation: When installing your plant chandelier, the ceiling mounts must be either screwed straight into timber or use a anchor on plasterboard that can hold at least 40+kg. We recommend a builder to attach Aridia for the best results.

Weight limit: Do not exceed a **max of 20kg** of total weight which includes pots, soil, plants. Please also consider the weight of water when watering your plants.

Finish: We recommend using an environmentally friendly wood oil on Aridia for extra longevity. By choosing your own finish, you can best match Aridia with your space.