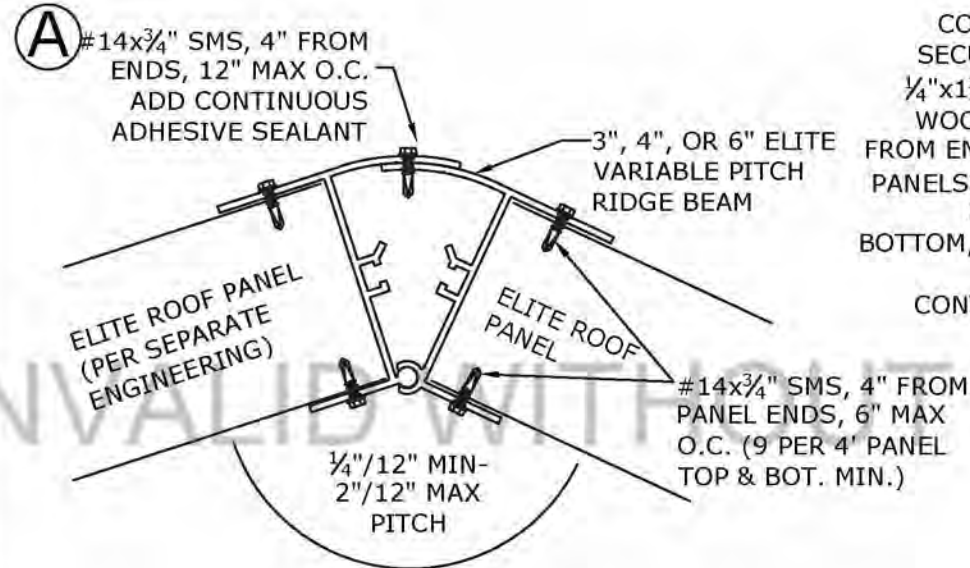




VARIABLE RIDGE BEAM CLEAR SPAN TABLE MASTER PLAN SHEET

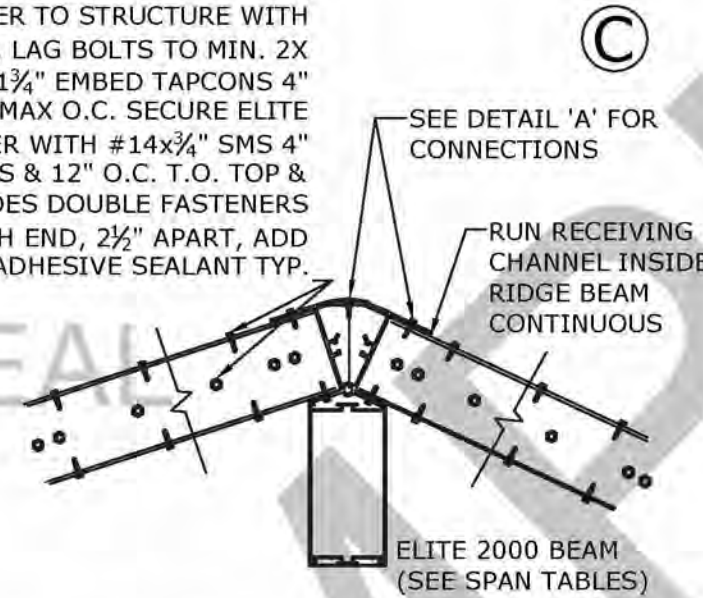
COPIES NOT VALID FOR PERMIT

PE SEAL
REQUIRED
10/30/2020

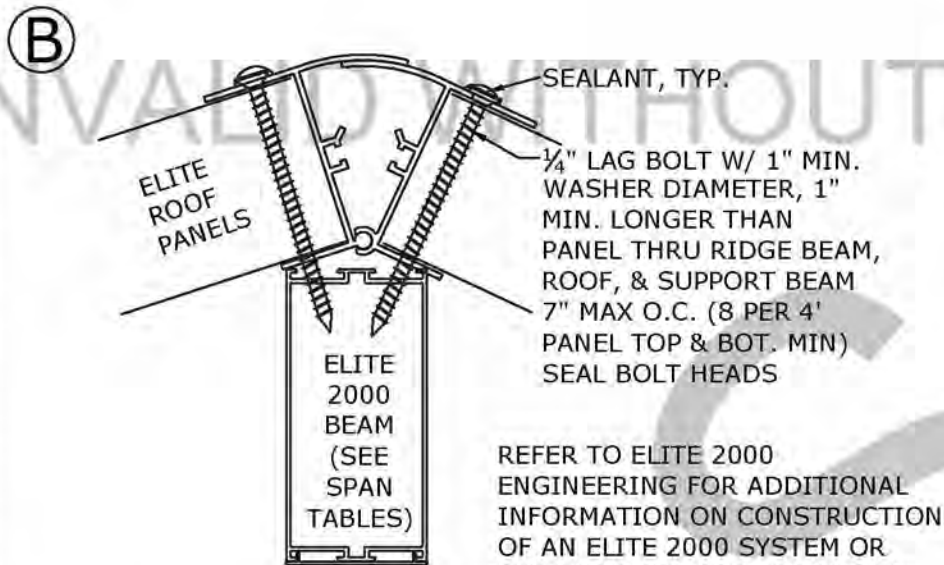


RIDGE BEAM CROSS SECTION

CONNECT TO ELITE HEADER BEHIND. SECURE HEADER TO STRUCTURE WITH 1/4"x1 1/2" EMBED. LAG BOLTS TO MIN. 2X WOOD OR 1/4"x1 3/4" EMBED TAPCONS 4" FROM ENDS & 12" MAX O.C. SECURE ELITE PANELS TO HEADER WITH #14x3/4" SMS 4" FROM ENDS & 12" O.C. T.O. TOP & BOTTOM, BOTH SIDES DOUBLE FASTENERS AT EACH END, 2 1/2" APART, ADD CONTINUOUS ADHESIVE SEALANT TYP.

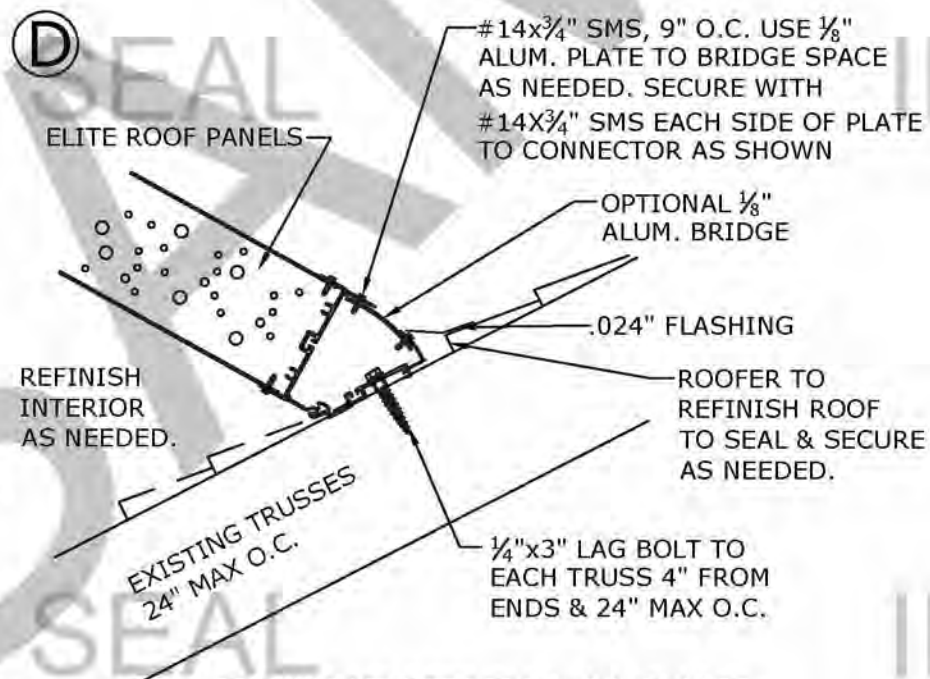


EXIST. CBS WALL OR WOOD FRAME BEHIND
RIDGE BEAM CONNECTION
TO EXISTING CBS WALL



ELITE 2000 BEAM SUPPORT
UNDER RIDGE BEAM

REFER TO ELITE 2000 ENGINEERING FOR ADDITIONAL INFORMATION ON CONSTRUCTION OF AN ELITE 2000 SYSTEM OR SEE ENGINEER FOR ADDITIONAL MATERIALS, SPANS, & CONNECTION OPTIONS.



CONNECTION ALONG
PITCHED ROOF

THIS DOCUMENT IS ONLY VALID WITH ORIGINAL SIGNATURE AND SEAL OF A P.E. OF THIS FIRM AND, IF PRINTED, WITH A RED 'ELITE' STAMP ACROSS THE DOCUMENT FACE OR A DIGITAL SEAL LOCKED TO A GEOGRAPHIC LOCATION, CONTRACTOR, AND TIMESTAMP FOR PERMIT. ALTERATIONS, ADDITIONS, OR OTHER MARKINGS TO THIS DOCUMENT ARE NOT PERMITTED AND INVALIDATE OUR CERTIFICATION.

- DESIGN:**
- 1) POSITIVE & NEGATIVE DESIGN PRESSURES CALCULATED FOR USE WITH THIS SYSTEM SHALL BE DETERMINED BY OTHERS ON A JOB-SPECIFIC BASIS USING ASD METHOD OF ASCE 7-16 OR ASCE 7-10 AS APPLICABLE & SHALL ACCOUNT FOR ALL SNOW, SEISMIC, WIND DEAD, LIVE & CONSTRUCTION LOADS WITH PROPER SAFETY FACTORS & FACTORED LOADING.
 - 2) THIS STRUCTURE HAS BEEN DESIGNED IN ACCORDANCE WITH THE STRUCTURAL REQUIREMENTS OF THE 7TH EDITION FLORIDA BUILDING CODE (2020), 6TH EDITION FLORIDA BUILDING CODE (2017), 2012/2015/2018 INTERNATIONAL BUILDING CODES, AS WELL AS CURRENT VERSIONS OF THE MN, NC, NJ, NY, OH, SC, & VA BUILDING CODES AS APPLICABLE. CODE ENFORCED COMPLIES WITH STATE OF SEAL AND IF MULTIPLE VERSIONS LISTED THEN MOST STRINGENT APPLIES.
 - 3) CONTRACTOR SHALL INVESTIGATE AND CONFORM TO ALL LOCAL BUILDING CODE AMENDMENTS WHICH MAY APPLY. DESIGN CRITERIA OR SPANS BEYOND STATED HEREIN REQUIRE ADDITIONAL SITE SPECIFIC SEALED ENGINEERING.
 - 4) ENCLOSURES TO BE DESIGNED & UTILIZED AS CATEGORY I, II, III, OR IV PER AAMA/NPEA/NSA 2100 (NOT V). ADDITIONAL DESIGN / ENGINEERING MAY BE REQUIRED FOR CATEGORIES III & IV (BY OTHERS).
 - 5) THE EXISTING STRUCTURE MUST BE CAPABLE OF SUPPORTING THE LOADED STRUCTURE AS DETERMINED BY OTHERS OR BY SPECIAL ENGINEERING BY UNDERSIGNED ENGINEER ATTACHED HERETO. NO WARRANTY IS CONTAINED HEREIN.

- MATERIALS:**
- 6) REFER TO ELITE MANUFACTURER SPECIFICATIONS FOR ANY PRODUCT & MATERIAL INFORMATION NOT REFERENCED HEREIN.
 - 7) WALL & ROOF MEMBERS SHALL BE CONSTRUCTED USING MINIMUM TYPE 3005-H25 ALUMINUM FACINGS, (1) OR (2) PCF ASTM C-578 CARPENTER BRAND EPS. ADHERE TO ALUMINUM FACINGS WITH ASHLAND CHEMICAL 2020D ISO GRIP. FABRICATION TO BE BY ELITE PANEL PRODUCTS ONLY IN ACCORDANCE WITH APPROVED FABRICATION METHODS.
 - 8) ALL EXTRUSIONS SHALL BE ALUMINUM ALLOY TYPE 6063-T6 OR BETTER.
 - 9) EXISTING WOOD HOST STRUCTURE SHALL BE #2 SYP MIN. EXISTING CONCRETE HOST STRUCTURE SHALL BE 3000 PSI MIN. STRUCTURAL ADHESIVE SHALL HAVE 1500 PSI MIN BOND STRENGTH.
 - 10) ALUMINUM MEMBERS IN CONTACT WITH CONCRETE & WOOD SHALL BE PROTECTED BY 'KOPPERS BITUMINOUS PAINT' OR MFR. EQUAL IN ACCORDANCE WITH APPLICABLE CODE REQUIREMENTS.
 - 11) CONTRACTOR IS RESPONSIBLE TO INSULATE ALUMINUM MEMBERS FROM DISSIMILAR METALS TO PREVENT ELECTROLYSIS.

- FASTENERS:**
- 12) ALL FASTENERS TO BE 316 SS NON-MAGNETIC STAINLESS STEEL, SAE GRADE 5 STEEL MIN, OR CADMIUM PLATED OR OTHER CORROSION RESISTANT MATERIAL AND SHALL COMPLY WITH THE 2010 ALUMINUM DESIGN MANUAL, THE ALUMINUM ASSOCIATION, INC., & APPLICABLE FEDERAL, STATE, AND LOCAL CODES.
 - 13) FASTENERS SHALL HAVE A HEAD AND/OR BE PROVIDED WITH 1/2" DIAMETER WASHER MINIMUM UNLESS NOTED OTHERWISE. FOR ALUMINUM MEMBERS ALL ANCHORS SHALL BE SPACED WITH 2xDIAMETER END DISTANCE AND 2.5xDIAMETER MIN. SPACING TO ADJACENT ANCHORS, UNLESS NOTED OTHERWISE.
 - 14) ANY FASTENER STRIPPED OR NOT ADEQUATELY HOLDING SHALL BE REPLACED.
 - 15) ALL TAPCONS MUST BE ITW CARBON STEEL ITW/DEWALT TAPCONS OR EQUIVALENT W/ 1 1/2" EMBED, 3" MIN. EDGE DISTANCE, FASTENED TO MINIMUM 3192PSI MIN., UN-CRACKED CONCRETE.
 - 16) IF REQUIRED BY CODE, THE EPS CORE SHALL BE SEPARATED FROM THE BUILDING INTERIOR BY A 15 MINUTE THERMAL BARRIER OF APPROVED 5/8 INCH GYPSUM WALLBOARD OR EQUAL. ELITE CAN PROVIDE ULI715 (INTERIOR) OR CLASS A(EXTERIOR) PANEL TO SATISFY CODE PROVIDED ALUM. & EPS MEET SPECS ABOVE.

- OTHER:**
- 17) THE SYSTEM DETAILED HEREIN IS GENERIC AND DOES NOT PROVIDE INFORMATION FOR A SPECIFIC SITE. FOR SITE CONDITIONS DIFFERENT FROM THE CONDITIONS DETAILED HEREIN, A LICENSED ENGINEER OR REGISTERED ARCHITECT SHALL PREPARE SITE SPECIFIC DOCUMENTS FOR USE IN CONJUNCTION WITH THIS DOCUMENT.
 - 18) ENGINEER SEAL AFFIXED HERETO VALIDATES STRUCTURAL DESIGN AS SHOWN ONLY. USE OF THIS SPECIFICATION BY CONTRACTOR, et al. INDEMNIFIES AND SAVES HARMLESS THIS ENGINEER FOR ALL COSTS AND DAMAGES INCLUDING LEGAL FEES AND APPELLATE FEES RESULTING FROM MATERIAL FABRICATION, SYSTEM ERECTION, AND CONSTRUCTION PRACTICES BEYOND THAT WHICH IS CALLED FOR BY LOCAL, STATE, AND FEDERAL CODES AND FROM DEVIATIONS OF THIS PLAN.
 - 19) EXCEPT AS EXPRESSLY PROVIDED IN THIS SPECIFICATION, NO ADDITIONAL CERTIFICATIONS OR AFFIRMATIONS ARE INTENDED.

VISIT ECALC.IO/30295
FOR ENGINEER CERTIFIED ORIGINALS, BETTER TABLE ANSWERS, & MORE INFORMATION ABOUT THIS DOCUMENT OR SCAN THE QR CODE TO THE RIGHT
VISIT ENGINEERINGEXPRESS.COM/ELITE
FOR ADDITIONAL PLANS, REPORTS & RESOURCES



VALID FOR 1 PERMIT ONLY UNO

DIGITAL SEAL NOTICE:
IF THIS DOCUMENT IS DIGITALLY SIGNED, THIS SHEET IS PART OF A DIGITALLY SIGNED FILE. IT SHALL REMAIN IN DIGITAL FORMAT, SHALL BE VERIFIED BY ELECTRONIC MEANS, & PRINTED COPIES OF THIS DOCUMENT ARE NOT CONSIDERED SIGNED AND SEALED.
PRINTED DOCUMENT NOTICE:
IF THIS DOCUMENT IS PRINTED & DOES NOT CONTAIN AN ENGINEER'S ORIGINAL SIGNATURE & SEAL, THIS DOCUMENT IS VOID & NOT VALID FOR USE. PHOTOCOPIES ARE NOT PERMITTED FOR USE.

ENGINEERING EXPRESS
CORPORATE OFFICE:
160 SW 12th AVE, SUITE 106
DEERFIELD BEACH, FL 33442
(954) 354-0660 | (866) 396-9999
TEAM@ENGINEERINGEXPRESS.COM
ENGINEERINGEXPRESS.COM

ELITE ALUMINUM, INC.
4650 LYONS TECHNOLOGY PKWY
COCONUT CREEK, FL
(954) 949-3200
VARIABLE RIDGE BEAM CLEAR SPAN
MASTER PLAN SHEET

DRWN	CHKD	DATE
TT <td></td> <td>10/09/20</td>		10/09/20

REMARKS
INIT ISSUE

THIS DOCUMENT IS THE PROPERTY OF ENGINEERING EXPRESS AND SHALL NOT BE REPRODUCED IN WHOLE OR PART WITHOUT WRITTEN CONSENT OF ENGINEERING EXPRESS. ALTERATIONS, ADDITIONS, OR OTHER MARKINGS TO THIS DOCUMENT ARE NOT PERMITTED AND INVALIDATE OUR CERTIFICATION.

COPYRIGHT ENGINEERING EXPRESS®

20-30295

SCALE: NTS UNLESS NOTED

ALLOWABLE BEAM SPAN TABLES FOR USE WITH OPEN WALLS

THESE TABLES USE AN ALLOWABLE DEFLECTION OF L/120.
 VERIFY DEFLECTION REQUIREMENTS BEFORE USING THESE TABLES.

BEAM TYPE	ROOF LOAD (PSF)	MAX ROOF SPAN (FT)	MAX BEAM SPAN				
			10	12	14	16	18
E2K 2.5 x 4 BEAM	20	10	10'-10"	10'-0"	9'-4"	8'-10"	8'-5"
		20	10'-10"	10'-0"	9'-4"	8'-10"	8'-5"
	30	10	8'-10"	8'-2"	7'-8"	7'-3"	6'-10"
		20	8'-10"	8'-2"	7'-8"	7'-3"	6'-10"
	40	10	7'-8"	7'-1"	6'-8"	6'-3"	6'-0"
		20	7'-8"	7'-1"	6'-8"	6'-3"	6'-0"
50	10	6'-10"	6'-4"	6'-0"	5'-7"	5'-4"	
	20	6'-10"	6'-4"	6'-0"	5'-7"	5'-4"	

BEAM TYPE	ROOF LOAD (PSF)	MAX ROOF SPAN (FT)	MAX BEAM SPAN				
			10	12	14	16	18
E2K 2.5 x 6 BEAM	20	10	14'-6"	13'-5"	12'-6"	11'-10"	11'-3"
		20	14'-6"	13'-5"	12'-6"	11'-10"	11'-3"
	30	10	11'-10"	11'-0"	10'-3"	9'-8"	9'-2"
		20	11'-10"	11'-0"	10'-3"	9'-8"	9'-2"
	40	10	10'-3"	9'-6"	8'-10"	8'-4"	8'-0"
		20	10'-3"	9'-6"	8'-10"	8'-4"	8'-0"
50	10	9'-2"	8'-6"	8'-0"	7'-6"	7'-1"	
	20	9'-2"	8'-6"	8'-0"	7'-6"	7'-1"	

BEAM TYPE	ROOF LOAD (PSF)	MAX ROOF SPAN (FT)	MAX BEAM SPAN				
			10	12	14	16	18
E2K 2.5 x 6 BEAM+	20	10	19'-2"	17'-9"	16'-7"	15'-8"	14'-10"
		20	19'-10"	18'-4"	17'-2"	16'-2"	15'-4"
	30	10	16'-9"	15'-6"	14'-6"	13'-8"	13'-0"
		20	17'-3"	16'-0"	15'-0"	14'-1"	13'-4"
	40	10	15'-4"	14'-3"	13'-4"	12'-7"	11'-11"
		20	15'-9"	14'-7"	13'-8"	12'-11"	12'-3"
50	10	14'-6"	13'-5"	12'-6"	11'-10"	11'-3"	
	20	14'-10"	13'-9"	12'-10"	12'-1"	11'-6"	

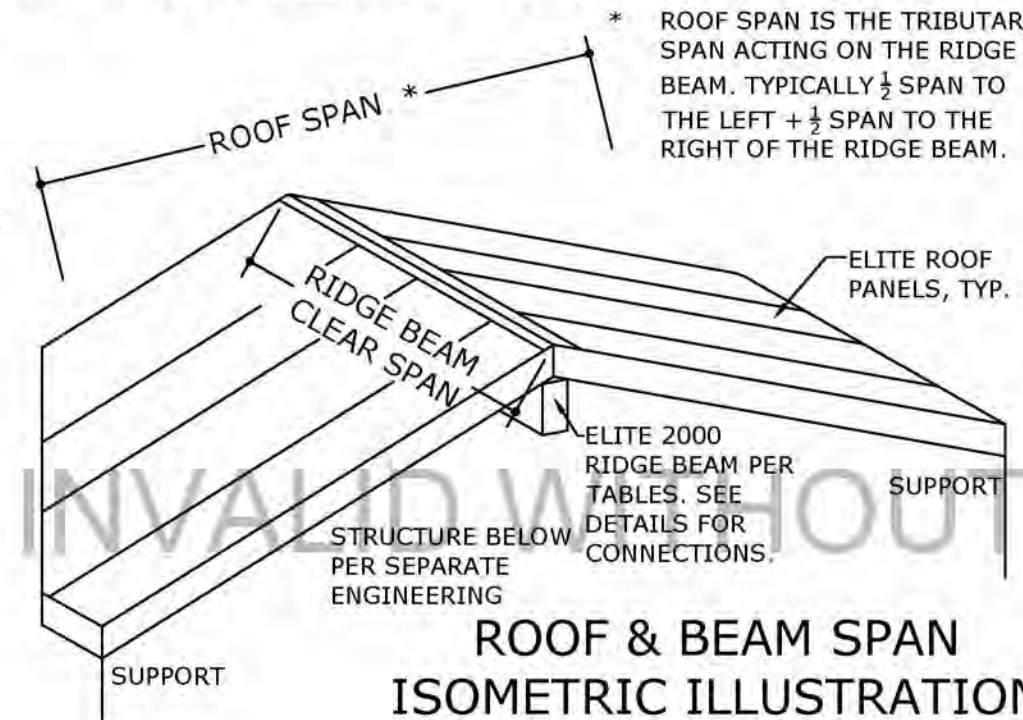
BEAM TYPE	ROOF LOAD (PSF)	MAX ROOF SPAN (FT)	MAX BEAM SPAN				
			10	12	14	16	18
E2K 2.5 x 8 BEAM	20	10	22'-0"	20'-4"	19'-0"	18'-0"	17'-0"
		20	22'-0"	20'-4"	19'-0"	18'-0"	17'-0"
	30	10	18'-0"	16'-7"	15'-6"	14'-8"	13'-11"
		20	18'-0"	16'-7"	15'-6"	14'-8"	13'-11"
	40	10	15'-6"	14'-4"	13'-5"	12'-8"	12'-0"
		20	15'-6"	14'-4"	13'-5"	12'-8"	12'-0"
50	10	13'-11"	12'-10"	12'-0"	11'-4"	10'-9"	
	20	13'-11"	12'-10"	12'-0"	11'-4"	10'-9"	

BEAM TYPE	ROOF LOAD (PSF)	MAX ROOF SPAN (FT)	MAX BEAM SPAN				
			10	12	14	16	18
E2K 2.5 x 8 BEAM+	20	10	21'-4"	19'-9"	18'-5"	17'-5"	16'-6"
		20	22'-0"	22'-0"	22'-0"	22'-0"	22'-0"
	30	10	22'-0"	22'-0"	22'-0"	22'-0"	22'-0"
		20	22'-0"	22'-0"	22'-0"	22'-0"	22'-0"
	40	10	22'-0"	22'-0"	22'-0"	22'-0"	22'-0"
		20	22'-0"	22'-0"	22'-0"	22'-0"	22'-0"
50	10	22'-0"	22'-0"	22'-0"	22'-0"	22'-0"	
	20	22'-0"	22'-0"	22'-0"	22'-0"	22'-0"	

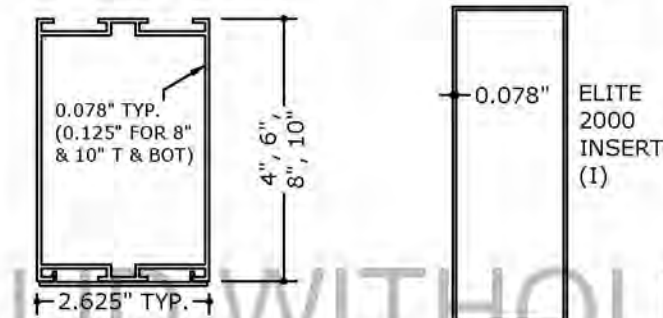
BEAM TYPE	ROOF LOAD (PSF)	MAX ROOF SPAN (FT)	MAX BEAM SPAN				
			10	12	14	16	18
E2K 2.5 x 10 BEAM	20	10	22'-0"	22'-0"	22'-0"	21'-6"	20'-5"
		20	22'-0"	22'-0"	22'-0"	21'-6"	20'-5"
	30	10	21'-6"	19'-11"	18'-7"	17'-6"	16'-8"
		20	21'-6"	19'-11"	18'-7"	17'-6"	16'-8"
	40	10	18'-7"	17'-3"	16'-1"	15'-2"	14'-5"
		20	18'-7"	17'-3"	16'-1"	15'-2"	14'-5"
50	10	16'-8"	15'-5"	14'-5"	13'-7"	12'-11"	
	20	16'-8"	15'-5"	14'-5"	13'-7"	12'-11"	

BEAM TYPE	ROOF LOAD (PSF)	MAX ROOF SPAN (FT)	MAX BEAM SPAN				
			10	12	14	16	18
E2K 2.5 x 10 BEAM+	20	10	22'-0"	22'-0"	22'-0"	21'-0"	19'-11"
		20	22'-0"	22'-0"	22'-0"	22'-0"	22'-0"
	30	10	22'-0"	22'-0"	22'-0"	22'-0"	22'-0"
		20	22'-0"	22'-0"	22'-0"	22'-0"	22'-0"
	40	10	22'-0"	22'-0"	22'-0"	22'-0"	22'-0"
		20	22'-0"	22'-0"	22'-0"	22'-0"	22'-0"
50	10	22'-0"	22'-0"	22'-0"	22'-0"	22'-0"	
	20	22'-0"	22'-0"	22'-0"	22'-0"	22'-0"	

+I= PLUS INSERT (SEE EXTRUSION)



ROOF & BEAM SPAN ISOMETRIC ILLUSTRATION



RIDGE BEAM ELITE 2000 EXTRUSIONS

TABLE NOTES:

1. RIDGE BEAM TABLES ARE FOR INTERMEDIATE CARRY BEAMS FOR GABLE STYLE ROOFS.
2. 2015 ALUMINUM DESIGN MANUAL, ALLOWABLE STRESS DESIGN METHOD USED IN ALL TABLES.
3. USE APPROPRIATE TABLE REQUIRED BY THE GOVERNING LOCAL BUILDING CODES. VERIFY REQUIREMENTS WITH BUILDING DEPARTMENT.
4. DEFLECTION LIMIT = L/120 USED IN THESE TABLES.
5. ROOF CLEAR SPAN IS FROM SUPPORT TO SUPPORT.
6. 24" MAXIMUM RIDGE BEAM OVERHANG PERMITTED WITH THESE TABLES OR 20% OF CLEAR SPAN, WHICHEVER IS LESS.
7. ROOF PITCH ALLOWED IS 1/4"/12" TO 2"/12". SITE SPECIFIC ENGINEERING NEEDED BEYOND THESE LIMITS.

PE SEAL REQUIRED
 10/30/2020
 VALID FOR 1 PERMIT ONLY UNLESS OTHERWISE NOTED
DIGITAL SEAL NOTICE:
 IF THIS DOCUMENT IS DIGITALLY SIGNED, THIS SHEET IS PART OF A DIGITALLY SIGNED FILE. IT SHALL REMAIN IN DIGITAL FORMAT. SHALL BE VERIFIED BY ELECTRONIC MEANS & PRINTED COPIES OF THIS DOCUMENT ARE NOT CONSIDERED SIGNED AND SEALED.
PRINTED DOCUMENT NOTICE:
 IF THIS DOCUMENT IS PRINTED & DOES NOT CONTAIN AN ENGINEER'S ORIGINAL SIGNATURE & SEAL, THIS DOCUMENT IS VOID & NOT VALID FOR USE. PHOTOCOPIES ARE NOT PERMITTED FOR USE.

ENGINEERING EXPRESS
 CORPORATE OFFICE:
 160 SW 12th AVE, SUITE 106
 DEERFIELD BEACH, FL 33442
 (954) 354-0660 | (866) 396-9999
 TEAM@ENGINEERINGEXPRESS.COM
 ENGINEERINGEXPRESS.COM

ELITE ALUMINUM, INC.
 4650 LYONS TECHNOLOGY PKWY
 COCONUT CREEK, FL
 (954) 949-3200

VARIABLE RIDGE BEAM CLEAR SPAN MASTER PLAN SHEET

DRWN	CHKD	DATE	10/09/20
TT	FB		
INIT	ISSUE		

REMARKS

THIS DOCUMENT IS THE PROPERTY OF ENGINEERING EXPRESS AND SHALL NOT BE REPRODUCED IN WHOLE OR PART WITHOUT WRITTEN CONSENT OF ENGINEERING EXPRESS. ALTERATIONS, ADDITIONS, OR OTHER MARKINGS TO THIS DOCUMENT ARE NOT PERMITTED AND INVALIDATE OUR CERTIFICATION.

COPYRIGHT ENGINEERING EXPRESS

20-30295

SCALE: NTS UNLESS NOTED

2 OF 4

ALLOWABLE BEAM SPAN TABLES FOR USE WITH SCREEN WALLS

THESE TABLES USE AN ALLOWABLE DEFLECTION OF L/60.
VERIFY DEFLECTION REQUIREMENTS BEFORE USING THESE TABLES.

BEAM TYPE	ROOF LOAD (PSF)	MAX ROOF SPAN (FT)	MAX BEAM SPAN				
			10	12	14	16	18
E2K 2.5 x 4 BEAM	20	10	10'-0"	9'-3"	8'-8"	8'-2"	7'-9"
		20	10'-0"	9'-3"	8'-8"	8'-2"	7'-9"
	30	10	8'-2"	7'-7"	7'-1"	6'-8"	6'-4"
		20	8'-2"	7'-7"	7'-1"	6'-8"	6'-4"
	40	10	7'-1"	6'-6"	6'-1"	5'-9"	5'-6"
		20	7'-1"	6'-6"	6'-1"	5'-9"	5'-6"
	50	10	6'-4"	5'-10"	5'-6"	5'-2"	4'-11"
		20	6'-4"	5'-10"	5'-6"	5'-2"	4'-11"

BEAM TYPE	ROOF LOAD (PSF)	MAX ROOF SPAN (FT)	MAX BEAM SPAN				
			10	12	14	16	18
E2K 2.5 x 6 BEAM	20	10	13'-4"	12'-4"	11'-7"	10'-11"	10'-4"
		20	13'-4"	12'-4"	11'-7"	10'-11"	10'-4"
	30	10	10'-11"	10'-1"	9'-5"	8'-11"	8'-5"
		20	10'-11"	10'-1"	9'-5"	8'-11"	8'-5"
	40	10	9'-5"	8'-9"	8'-2"	7'-9"	7'-4"
		20	9'-5"	8'-9"	8'-2"	7'-9"	7'-4"
	50	10	8'-5"	7'-10"	7'-4"	6'-11"	6'-6"
		20	8'-5"	7'-10"	7'-4"	6'-11"	6'-6"

BEAM TYPE	ROOF LOAD (PSF)	MAX ROOF SPAN (FT)	MAX BEAM SPAN				
			10	12	14	16	18
E2K 2.5 x 6 BEAM+I	20	10	17'-8"	16'-4"	15'-4"	14'-5"	13'-8"
		20	18'-3"	17'-0"	15'-10"	15'-0"	14'-2"
	30	10	15'-5"	14'-3"	13'-4"	12'-7"	12'-0"
		20	15'-11"	14'-9"	13'-9"	13'-0"	12'-4"
	40	10	14'-2"	13'-1"	12'-3"	11'-7"	11'-0"
		20	14'-7"	13'-6"	12'-7"	11'-11"	11'-3"
	50	10	13'-4"	12'-4"	11'-7"	10'-11"	10'-4"
		20	13'-8"	12'-8"	11'-10"	11'-2"	10'-7"

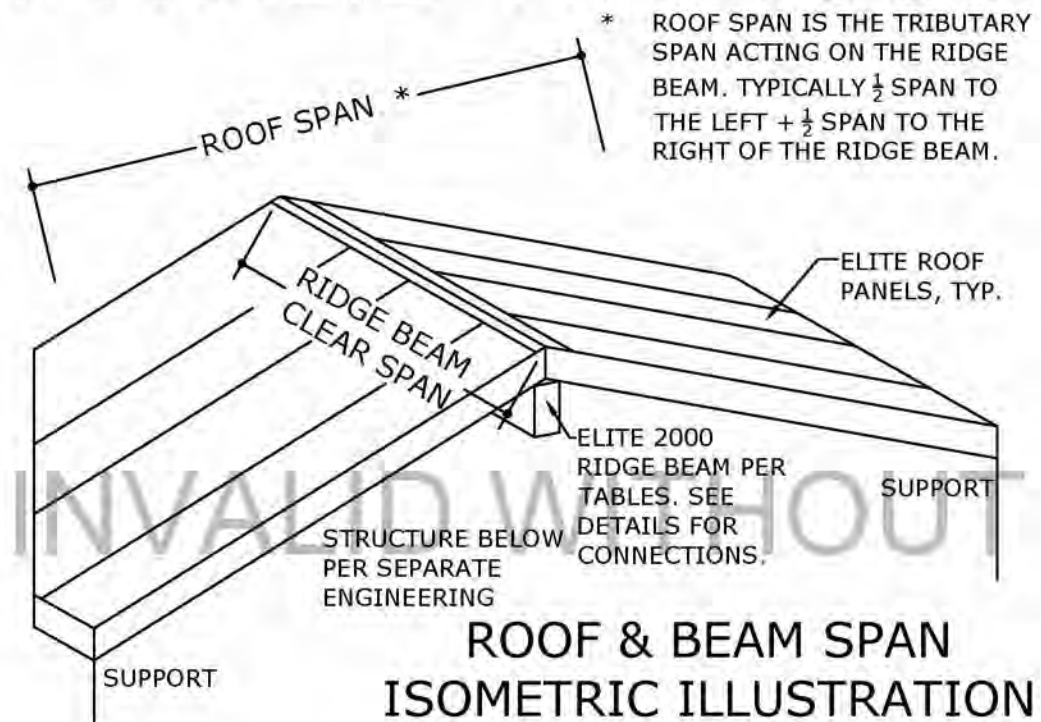
BEAM TYPE	ROOF LOAD (PSF)	MAX ROOF SPAN (FT)	MAX BEAM SPAN				
			10	12	14	16	18
E2K 2.5 x 8 BEAM	20	10	20'-3"	18'-9"	17'-6"	16'-6"	15'-8"
		20	20'-3"	18'-9"	17'-6"	16'-6"	15'-8"
	30	10	16'-6"	15'-4"	14'-4"	13'-6"	12'-10"
		20	16'-6"	15'-4"	14'-4"	13'-6"	12'-10"
	40	10	14'-4"	13'-3"	12'-5"	11'-8"	11'-1"
		20	14'-4"	13'-3"	12'-5"	11'-8"	11'-1"
	50	10	12'-10"	11'-10"	11'-1"	10'-5"	10'-0"
		20	12'-10"	11'-10"	11'-1"	10'-5"	10'-0"

BEAM TYPE	ROOF LOAD (PSF)	MAX ROOF SPAN (FT)	MAX BEAM SPAN				
			10	12	14	16	18
E2K 2.5 x 8 BEAM+I	20	10	19'-8"	18'-2"	17'-0"	16'-0"	15'-3"
		20	22'-0"	22'-0"	22'-0"	22'-0"	22'-0"
	30	10	22'-0"	22'-0"	22'-0"	22'-0"	22'-0"
		20	22'-0"	22'-0"	22'-0"	22'-0"	22'-0"
	40	10	22'-0"	22'-0"	22'-0"	22'-0"	22'-0"
		20	22'-0"	22'-0"	22'-0"	22'-0"	22'-0"
	50	10	22'-0"	22'-0"	22'-0"	22'-0"	22'-0"
		20	22'-0"	22'-0"	22'-0"	22'-0"	22'-0"

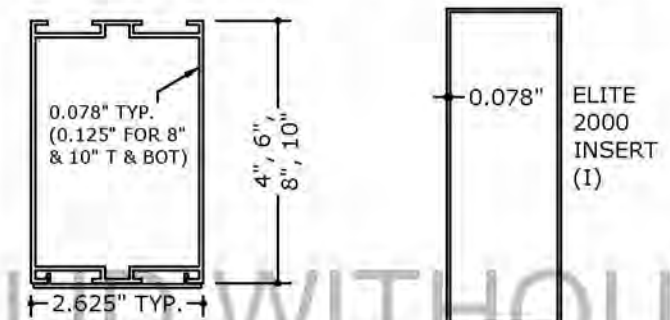
BEAM TYPE	ROOF LOAD (PSF)	MAX ROOF SPAN (FT)	MAX BEAM SPAN				
			10	12	14	16	18
E2K 2.5 x 10 BEAM	20	10	22'-0"	22'-0"	21'-0"	19'-10"	18'-9"
		20	22'-0"	22'-0"	21'-0"	19'-10"	18'-9"
	30	10	19'-10"	18'-4"	17'-2"	16'-2"	15'-4"
		20	19'-10"	18'-4"	17'-2"	16'-2"	15'-4"
	40	10	17'-2"	15'-11"	14'-10"	14'-0"	13'-3"
		20	17'-2"	15'-11"	14'-10"	14'-0"	13'-3"
	50	10	15'-4"	14'-2"	13'-3"	12'-6"	11'-11"
		20	15'-4"	14'-2"	13'-3"	12'-6"	11'-11"

BEAM TYPE	ROOF LOAD (PSF)	MAX ROOF SPAN (FT)	MAX BEAM SPAN				
			10	12	14	16	18
E2K 2.5 x 10 BEAM+I	20	10	22'-0"	21'-11"	20'-6"	19'-4"	18'-4"
		20	22'-0"	22'-0"	22'-0"	22'-0"	22'-0"
	30	10	22'-0"	22'-0"	22'-0"	22'-0"	22'-0"
		20	22'-0"	22'-0"	22'-0"	22'-0"	22'-0"
	40	10	22'-0"	22'-0"	22'-0"	22'-0"	22'-0"
		20	22'-0"	22'-0"	22'-0"	22'-0"	22'-0"
	50	10	22'-0"	22'-0"	22'-0"	22'-0"	22'-0"
		20	22'-0"	22'-0"	22'-0"	22'-0"	22'-0"

+I= PLUS INSERT (SEE EXTRUSION)



ROOF & BEAM SPAN ISOMETRIC ILLUSTRATION



RIDGE BEAM ELITE 2000 EXTRUSIONS

TABLE NOTES:

1. RIDGE BEAM TABLES ARE FOR INTERMEDIATE CARRY BEAMS FOR GABLE STYLE ROOFS.
2. 2015 ALUMINUM DESIGN MANUAL, ALLOWABLE STRESS DESIGN METHOD USED IN ALL TABLES.
3. USE APPROPRIATE TABLE REQUIRED BY THE GOVERNING LOCAL BUILDING CODES. VERIFY REQUIREMENTS WITH BUILDING DEPARTMENT.
4. DEFLECTION LIMIT = L/60 USED IN THESE TABLES.
5. ROOF CLEAR SPAN IS FROM SUPPORT TO SUPPORT.
6. 24" MAXIMUM RIDGE BEAM OVERHANG PERMITTED WITH THESE TABLES OR 20% OF CLEAR SPAN, WHICHEVER IS LESS.
7. ROOF PITCH ALLOWED IS 1/4"/12" TO 2"/12". SITE SPECIFIC ENGINEERING NEEDED BEYOND THESE LIMITS.

PE SEAL REQUIRED
10/30/2020

VALID FOR 1 PERMIT ONLY UNLESS OTHERWISE NOTED
DIGITAL SEAL NOTICE: IF THIS DOCUMENT IS DIGITALLY SIGNED, THIS SHEET IS PART OF A DIGITALLY SIGNED FILE. IT SHALL REMAIN IN DIGITAL FORMAT. SHALL BE VERIFIED BY ELECTRONIC MEANS & PRINTED COPIES OF THIS DOCUMENT ARE NOT CONSIDERED SIGNED AND SEALED.
PRINTED DOCUMENT NOTICE: IF THIS DOCUMENT IS PRINTED & DOES NOT CONTAIN AN ENGINEER'S ORIGINAL SIGNATURE & SEAL, THIS DOCUMENT IS VOID & NOT VALID FOR USE. PHOTOCOPIES ARE NOT PERMITTED FOR USE.

ENGINEERING EXPRESS
CORPORATE OFFICE:
160 SW 12th AVE, SUITE 106
DEERFIELD BEACH, FL 33442
(954) 354-0660 | (866) 396-9999
TEAM@ENGINEERINGEXPRESS.COM
ENGINEERINGEXPRESS.COM

ELITE ALUMINUM, INC.
4650 LYONS TECHNOLOGY PKWY
COCONUT CREEK, FL
(954) 949-3200
VARIABLE RIDGE BEAM CLEAR SPAN
MASTER PLAN SHEET

DRWN	CHKD	DATE
TT	FB	10/09/20
INIT	ISSUE	

REMARKS

THIS DOCUMENT IS THE PROPERTY OF ENGINEERING EXPRESS AND SHALL NOT BE REPRODUCED IN WHOLE OR PART WITHOUT WRITTEN CONSENT OF ENGINEERING EXPRESS. ALTERATIONS, ADDITIONS, OR OTHER MARKINGS TO THIS DOCUMENT ARE NOT PERMITTED AND INVALIDATE OUR CERTIFICATION.

COPYRIGHT ENGINEERING EXPRESS®
20-30295

SCALE: NTS UNLESS NOTED

3 OF 4

ALLOWABLE BEAM SPAN TABLES FOR USE WITH SOLID WALLS

THESE TABLES USE AN ALLOWABLE DEFLECTION OF L/180.
 VERIFY DEFLECTION REQUIREMENTS BEFORE USING THESE TABLES.

BEAM TYPE	ROOF LOAD (PSF)	MAX ROOF SPAN (FT)	MAX BEAM SPAN				
			10	12	14	16	18
E2K 2.5 x 4 BEAM	20	10	9'-6"	8'-10"	8'-3"	7'-9"	7'-4"
		20	9'-6"	8'-10"	8'-3"	7'-9"	7'-4"
	30	10	7'-9"	7'-2"	6'-9"	6'-4"	6'-0"
		20	7'-9"	7'-2"	6'-9"	6'-4"	6'-0"
	40	10	6'-9"	6'-3"	5'-10"	5'-6"	5'-3"
		20	6'-9"	6'-3"	5'-10"	5'-6"	5'-3"
50	10	6'-0"	5'-7"	5'-3"	5'-0"	4'-8"	
	20	6'-0"	5'-7"	5'-3"	5'-0"	4'-8"	

BEAM TYPE	ROOF LOAD (PSF)	MAX ROOF SPAN (FT)	MAX BEAM SPAN				
			10	12	14	16	18
E2K 2.5 x 6 BEAM	20	10	13'-4"	12'-4"	11'-7"	10'-11"	10'-4"
		20	13'-4"	12'-4"	11'-7"	10'-11"	10'-4"
	30	10	10'-11"	10'-1"	9'-5"	8'-11"	8'-5"
		20	10'-11"	10'-1"	9'-5"	8'-11"	8'-5"
	40	10	9'-5"	8'-9"	8'-2"	7'-9"	7'-4"
		20	9'-5"	8'-9"	8'-2"	7'-9"	7'-4"
50	10	8'-5"	7'-10"	7'-4"	6'-11"	6'-6"	
	20	8'-5"	7'-10"	7'-4"	6'-11"	6'-6"	

BEAM TYPE	ROOF LOAD (PSF)	MAX ROOF SPAN (FT)	MAX BEAM SPAN				
			10	12	14	16	18
E2K 2.5 x 6 BEAM+I	20	10	16'-10"	15'-7"	14'-7"	13'-9"	13'-1"
		20	17'-5"	16'-2"	15'-1"	14'-3"	13'-6"
	30	10	14'-8"	13'-7"	12'-9"	12'-0"	11'-5"
		20	15'-2"	14'-0"	13'-1"	12'-4"	11'-9"
	40	10	13'-6"	12'-6"	11'-8"	11'-0"	10'-6"
		20	13'-10"	12'-10"	12'-0"	11'-4"	10'-9"
50	10	12'-9"	11'-9"	11'-0"	10'-5"	9'-10"	
	20	13'-1"	12'-1"	11'-4"	10'-8"	10'-1"	

+I= PLUS INSERT (SEE EXTRUSION)

BEAM TYPE	ROOF LOAD (PSF)	MAX ROOF SPAN (FT)	MAX BEAM SPAN				
			10	12	14	16	18
E2K 2.5 x 8 BEAM	20	10	19'-3"	17'-10"	16'-8"	15'-9"	15'-0"
		20	19'-3"	17'-10"	16'-8"	15'-9"	15'-0"
	30	10	15'-9"	14'-7"	13'-8"	12'-10"	12'-2"
		20	15'-9"	14'-7"	13'-8"	12'-10"	12'-2"
	40	10	13'-8"	12'-8"	11'-10"	11'-2"	10'-7"
		20	13'-8"	12'-8"	11'-10"	11'-2"	10'-7"
50	10	12'-2"	11'-4"	10'-7"	10'-0"	9'-5"	
	20	12'-2"	11'-4"	10'-7"	10'-0"	9'-5"	

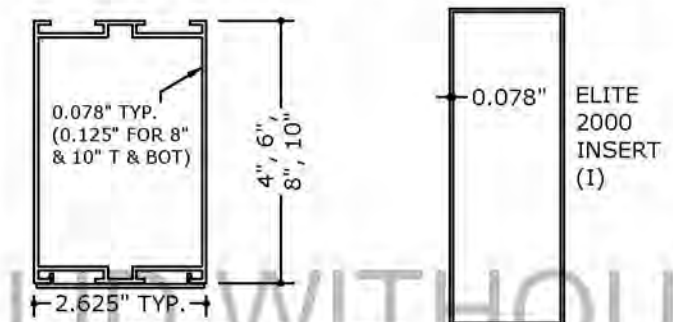
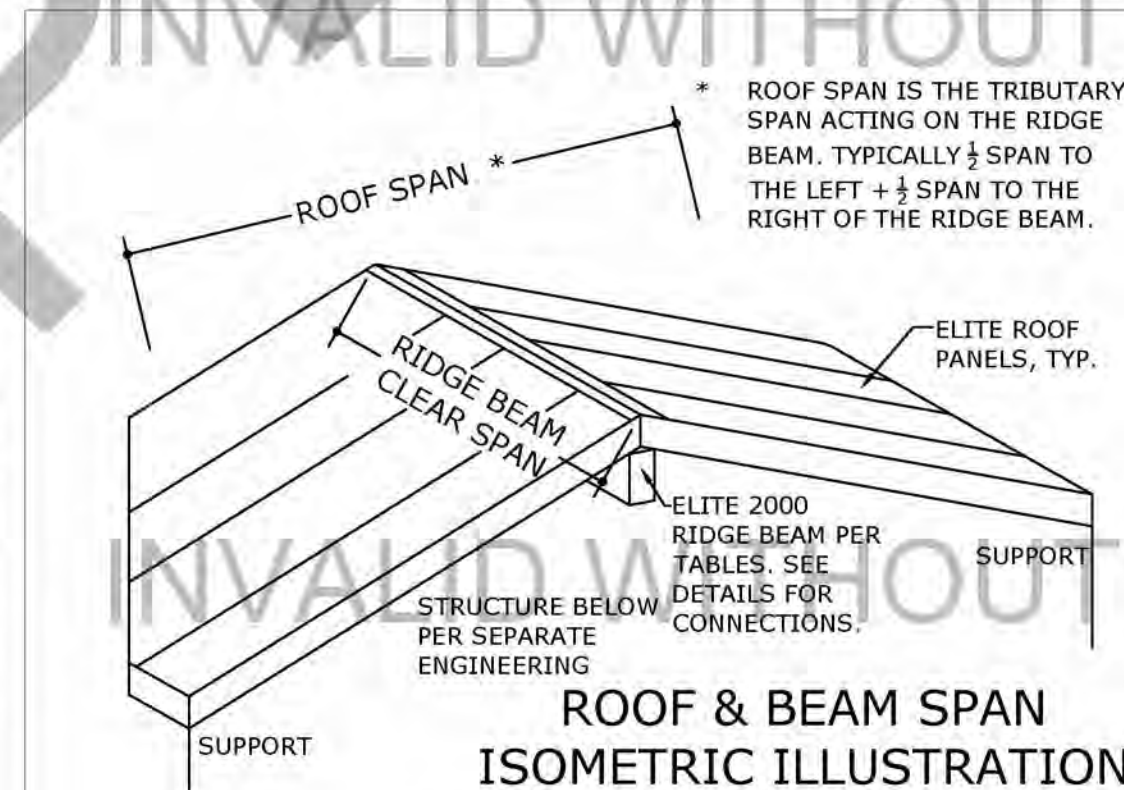
BEAM TYPE	ROOF LOAD (PSF)	MAX ROOF SPAN (FT)	MAX BEAM SPAN				
			10	12	14	16	18
E2K 2.5 x 8 BEAM+I	20	10	18'-9"	17'-4"	16'-3"	15'-3"	14'-6"
		20	22'-0"	22'-0"	22'-0"	22'-0"	21'-3"
	30	10	22'-0"	22'-0"	22'-0"	22'-0"	22'-0"
		20	22'-0"	22'-0"	22'-0"	22'-0"	22'-0"
	40	10	22'-0"	22'-0"	22'-0"	22'-0"	22'-0"
		20	22'-0"	22'-0"	22'-0"	22'-0"	22'-0"
50	10	22'-0"	22'-0"	22'-0"	22'-0"	22'-0"	
	20	22'-0"	22'-0"	22'-0"	22'-0"	22'-0"	

BEAM TYPE	ROOF LOAD (PSF)	MAX ROOF SPAN (FT)	MAX BEAM SPAN				
			10	12	14	16	18
E2K 2.5 x 10 BEAM	20	10	22'-0"	21'-5"	20'-0"	18'-11"	18'-0"
		20	22'-0"	21'-5"	20'-0"	18'-11"	18'-0"
	30	10	18'-11"	17'-6"	16'-4"	15'-5"	14'-8"
		20	18'-11"	17'-6"	16'-4"	15'-5"	14'-8"
	40	10	16'-4"	15'-2"	14'-2"	13'-4"	12'-8"
		20	16'-4"	15'-2"	14'-2"	13'-4"	12'-8"
50	10	14'-8"	13'-7"	12'-8"	12'-0"	11'-4"	
	20	14'-8"	13'-7"	12'-8"	12'-0"	11'-4"	

BEAM TYPE	ROOF LOAD (PSF)	MAX ROOF SPAN (FT)	MAX BEAM SPAN				
			10	12	14	16	18
E2K 2.5 x 10 BEAM+I	20	10	22'-0"	20'-11"	19'-6"	18'-5"	17'-6"
		20	22'-0"	22'-0"	22'-0"	22'-0"	22'-0"
	30	10	22'-0"	22'-0"	22'-0"	22'-0"	22'-0"
		20	22'-0"	22'-0"	22'-0"	22'-0"	22'-0"
	40	10	22'-0"	22'-0"	22'-0"	22'-0"	22'-0"
		20	22'-0"	22'-0"	22'-0"	22'-0"	22'-0"
50	10	22'-0"	22'-0"	22'-0"	22'-0"	22'-0"	
	20	22'-0"	22'-0"	22'-0"	22'-0"	22'-0"	

TABLE NOTES:

- RIDGE BEAM TABLES ARE FOR INTERMEDIATE CARRY BEAMS FOR GABLE STYLE ROOFS.
- 2015 ALUMINUM DESIGN MANUAL, ALLOWABLE STRESS DESIGN METHOD USED IN ALL TABLES.
- USE APPROPRIATE TABLE REQUIRED BY THE GOVERNING LOCAL BUILDING CODES. VERIFY REQUIREMENTS WITH BUILDING DEPARTMENT.
- DEFLECTION LIMIT = L/180 USED IN THESE TABLES.
- ROOF CLEAR SPAN IS FROM SUPPORT TO SUPPORT.
- 24" MAXIMUM RIDGE BEAM OVERHANG PERMITTED WITH THESE TABLES OR 20% OF CLEAR SPAN, WHICHEVER IS LESS.
- ROOF PITCH ALLOWED IS 1/4"/12" TO 2"/12". SITE SPECIFIC ENGINEERING NEEDED BEYOND THESE LIMITS.



RIDGE BEAM ELITE 2000 EXTRUSIONS

PE SEAL REQUIRED
 10/30/2020

VALID FOR 1 PERMIT ONLY UNLESS OTHERWISE NOTED
 DIGITAL SEAL NOTICE: IF THIS DOCUMENT IS DIGITALLY SIGNED, THIS SHEET IS PART OF A DIGITALLY SIGNED FILE. IT SHALL REMAIN IN DIGITAL FORMAT, SHALL BE VERIFIED BY ELECTRONIC MEANS & PRINTED COPIES OF THIS DOCUMENT ARE NOT CONSIDERED SIGNED AND SEALED.
 PRINTED DOCUMENT NOTICE: IF THIS DOCUMENT IS PRINTED & DOES NOT CONTAIN AN ENGINEER'S ORIGINAL SIGNATURE & SEAL, THIS DOCUMENT IS VOID & NOT VALID FOR USE. PHOTOCOPIES ARE NOT PERMITTED FOR USE.

ENGINEERING EXPRESS
 CORPORATE OFFICE:
 160 SW 12th AVE, SUITE 106
 DEERFIELD BEACH, FL 33442
 (954) 354-0660 | (866) 396-9999
 TEAM@ENGINEERINGEXPRESS.COM
 ENGINEERINGEXPRESS.COM

ELITE ALUMINUM, INC.
 4650 LYONS TECHNOLOGY PKWY
 COCONUT CREEK, FL
 (954) 949-3200
 VARIABLE RIDGE BEAM CLEAR SPAN
 MASTER PLAN SHEET

DRWN	CHKD	DATE
TT <td></td> <td>10/30/20</td>		10/30/20

REMARKS
 INIT ISSUE

THIS DOCUMENT IS THE PROPERTY OF ENGINEERING EXPRESS AND SHALL NOT BE REPRODUCED IN WHOLE OR PART WITHOUT WRITTEN CONSENT OF ENGINEERING EXPRESS. ALTERATIONS, ADDITIONS, OR OTHER MARKINGS TO THIS DOCUMENT ARE NOT PERMITTED AND INVALIDATE OUR CERTIFICATION.

COPYRIGHT ENGINEERING EXPRESS
 20-30295

SCALE: NTS UNLESS NOTED
 4 OF 4