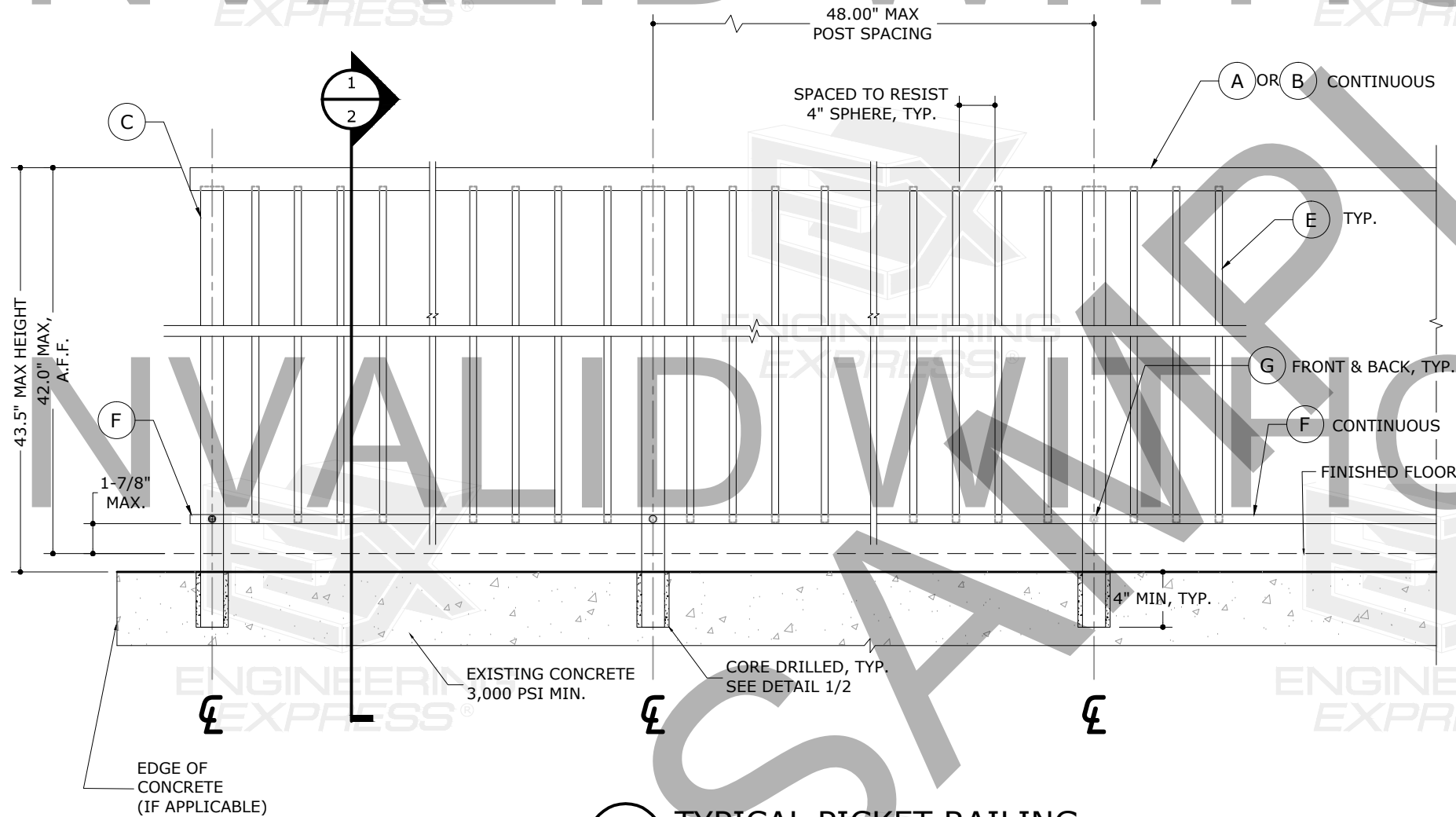


WELDED ALUMINUM PICKET RAILING

01/19/2018 - 3:49pm luiso V:\Projects\17-5526 Welded Aluminum Picket Railing\WP\17-5526b Aluminum picket railing.dwg



1 TYPICAL PICKET RAILING
1 SCALE: N.T.S. ELEVATION VIEW

GENERAL NOTES:

- THIS SYSTEM HAS BEEN DESIGNED AND SHALL BE FABRICATED IN ACCORDANCE WITH THE REQUIREMENTS OF THE FLORIDA BUILDING CODE SIXTH EDITION (2017).
- THIS RAILING IS DESIGNED TO MEET SECTIONS OF THE CODE GOVERNING ELEVATED BALCONIES AND STRUCTURAL RAILINGS (200LB POINT LOAD, 50PLF TOPCAP LOAD, 50LB POINT LOAD UPON 1SF OF INFILL). RAILING DESIGNED FOR WIND LOADING PER CHAP 16 HVHZ, NON-HVHZ & THE PROVISIONS OF ASCE 7-10, Vult = 175 MPH, Vasd = 135.5 MPH, EXPOSURE 'D', AS AN 80% OPEN SIGN USING "ASD" METHODOLOGY.
- INSTALLATION HEIGHT <= 60 FEET GROUND TO TOP OF RAIL.
- ALL ALUMINUM EXTRUSIONS TO BE 6063-T6 ALLOY (UNLESS OTHERWISE NOTED) THE THICKNESS OF ALL EXTRUSIONS SHALL BE AS SHOWN ON THE DRAWING.
- ALL FLOOR FINISHES SHALL BE BY OTHERS AND SHALL NOT EXCEED 1-1/2" MAXIMUM, OTHERWISE THEY SHALL BE SEPARATELY CERTIFIED TO TRANSFER ALL LOADING TO THE PROJECT SUPERSTRUCTURE. DIMENSIONS ARE POST-FLOOR FINISHES.
- ALL SCREWS TO BE ANSI 300 SERIES STAINLESS STEEL WITH 50 ksi MINIMUM YIELD AND 90 ksi TENSILE STRENGTH.
- POST EMBEDMENT INTO EXISTING CONCRETE SLAB SHALL BE PERFORMED WITH HOLE SIZE AS SHOWN ON THIS DRAWING. INSTALLATION INTO EXISTING REINFORCED CONCRETE, PRESTRESSED OR POST TENSIONED SLABS SHALL BE CAREFULLY PERFORMED SO THAT THE EXISTING REBARS OR CABLES ARE NOT DAMAGED. PRESET HOLES ON CONCRETE ARE ALSO ALLOWED AS LONG AS ARE PERFORMED WITH SIZES AS REQUIRED ON THIS DRAWING.
- THE CONTRACTOR IS RESPONSIBLE TO INSULATE ALL MEMBERS FROM DISSIMILAR MATERIALS TO PREVENT ELECTROLYSIS. ALUMINUM MEMBERS IN CONTACT WITH CONCRETE SHALL BE PROTECTED WITH ALKALI-RESISTANT COATING, SUCH AS HEAVY BODIED BITUMINOUS PAINT OR WATER-WHITE METHACRYLATE LACQUER.
- CONTRACTOR IS RESPONSIBLE FOR MEETING OR EXCEEDING ALL APPLICABLE RAILING REQUIREMENTS AS PER F.B.C., N.F.P.A. AND ADA MANUALS IN APPLYING THESE GENERIC DRAWINGS TO ACTUAL CONDITIONS PARTICULAR TO A PROJECT.
- IT SHALL BE THE RESPONSIBILITY OF THE PERMIT HOLDER TO VERIFY THAT THE EXISTING SLAB CAN SUSTAIN THE SUPERIMPOSED LOADS.
- ALUMINUM WELDING SHALL BE PERFORMED IN ACCORDANCE WITH 2017 FBC SECTION 2003.8.1.4 WITH WELD FILLER ALLOYS MEETING ANSI/AWS A5.10 STANDARDS TO ACHIEVE ULTIMATE DESIGN STRENGTH IN ACCORDANCE WITH THE ALUMINUM DESIGN MANUAL TABLE A.3.6. ALL ALUMINUM CONSTRUCTION SHALL BE IN CONFORMANCE WITH THE TOLERANCES, QUALITY AND METHODS OF CONSTRUCTION AS SET FORTH IN FBC SECTION 2003.2. MINIMUM WELD IS 1/8" THROAT FULL PERIMETER FILLET WELD UNLESS OTHERWISE NOTED.
- ELECTRICAL GROUND, WHEN REQUIRED, TO BE DESIGNED BY OTHERS.
- ENGINEER SEAL AFFIXED HERETO VALIDATES STRUCTURAL DESIGN AS SHOWN ONLY. USE OF THIS SPECIFICATION BY CONTRACTOR, et. al. INDEMNIFIES & SAVES HARMLESS THIS ENGINEER FOR ALL COST & DAMAGES INCLUDING LEGAL FEES & APPELLATE FEES RESULTING FROM MATERIAL FABRICATION, SYSTEM ERECTION, CONSTRUCTION PRACTICES BEYOND THAT WHICH IS CALLED FOR BY LOCAL, STATE, & FEDERAL CODES & FROM DEVIATIONS OF THIS PLAN.
- THIS DOCUMENT IS GENERIC AND DOES NOT PERTAIN TO ANY SPECIFIC PROJECT SITE. ENGINEERING EXPRESS SHALL NOT BE HELD RESPONSIBLE OR LIABLE IN ANY WAY FOR ERRONEOUS OR INACCURATE DATA OR MEASUREMENTS. DIMENSIONS ARE SHOWN TO ILLUSTRATE DESIGN FORCES AND OTHER DESIGN CRITERIA. THEY MAY VARY SLIGHTLY, BUT MUST REMAIN WITHIN THE LIMITATIONS SPECIFIED HEREIN. WORK SHALL BE FIELD VERIFIED BY OTHERS PRIOR TO CONSTRUCTION. ENGINEERING EXPRESS SHALL BE NOTIFIED AND GIVEN AN OPPORTUNITY TO REEVALUATE OUR WORK UPON DISCOVERY OF ANY INACCURATE INFORMATION PRIOR TO MODIFICATION OF EXISTING FIELD CONDITIONS AND FABRICATION AND INSTALLATION OF MATERIALS. ALTERATIONS OR ADDITIONS TO THIS DOCUMENT ARE NOT PERMITTED AND INVALIDATE OUR CERTIFICATION.
- EXCEPT AS EXPRESSLY PROVIDED HEREIN, NO ADDITIONAL CERTIFICATIONS OR AFFIRMATIONS ARE INTENDED.

FRANK L. BENNARDO, P.E.
PE# 0046549

01/19/2018

IF CHECKED, CERTIFYING P.E. APPEARS BELOW
SEALING ENGINEER AND
PE# APPEARS IN SEAL
VALID ONLY WITH RAISED ENGINEER SEAL
VALID FOR 1 PERMIT ONLY U.N.O.

NOTICE: IF THIS SHEET DOES NOT CONTAIN AN ORIGINAL SIGNATURE & ENGINEER SEAL:
IF THERE IS A DIGITAL SIGNATURE ON SHEET 1, THIS SHEET IS PART OF A DIGITALLY SIGNED FILE, SHALL REMAIN IN DIGITAL FORMAT, & PRINTED COPIES OF THIS DOCUMENT ARE NOT CONSIDERED SIGNED AND SEALED. IF THERE IS NO DIGITAL SIGNATURE ON SHEET 1 OR THIS SHEET DOES NOT CONTAIN AN ENGINEER'S ORIGINAL SIGNATURE & SEAL, THIS SHEET IS A COPY/DRAFT.

ENGINEERING EXPRESS
CORPORATE OFFICE:
160 SW 12th AVE, SUITE 106
DEERFIELD BEACH, FL 33442
P: (954) 354-0660 F: (954) 354-0443
E: HELLO@ENGINEERINGEXPRESS.COM
CERT OF AUTH #9885

EASTERN METAL SUPPLY
4268 WESTROADS DR
WEST PALM BEACH, FL
9800) 432-2204
ALUMINUM WELDED
PICKET RAILING
FLORIDA BUILDING CODE SIXTH EDITION (2017)

DRWN	CHKD	DATE
LAO	FLB	01/12/18

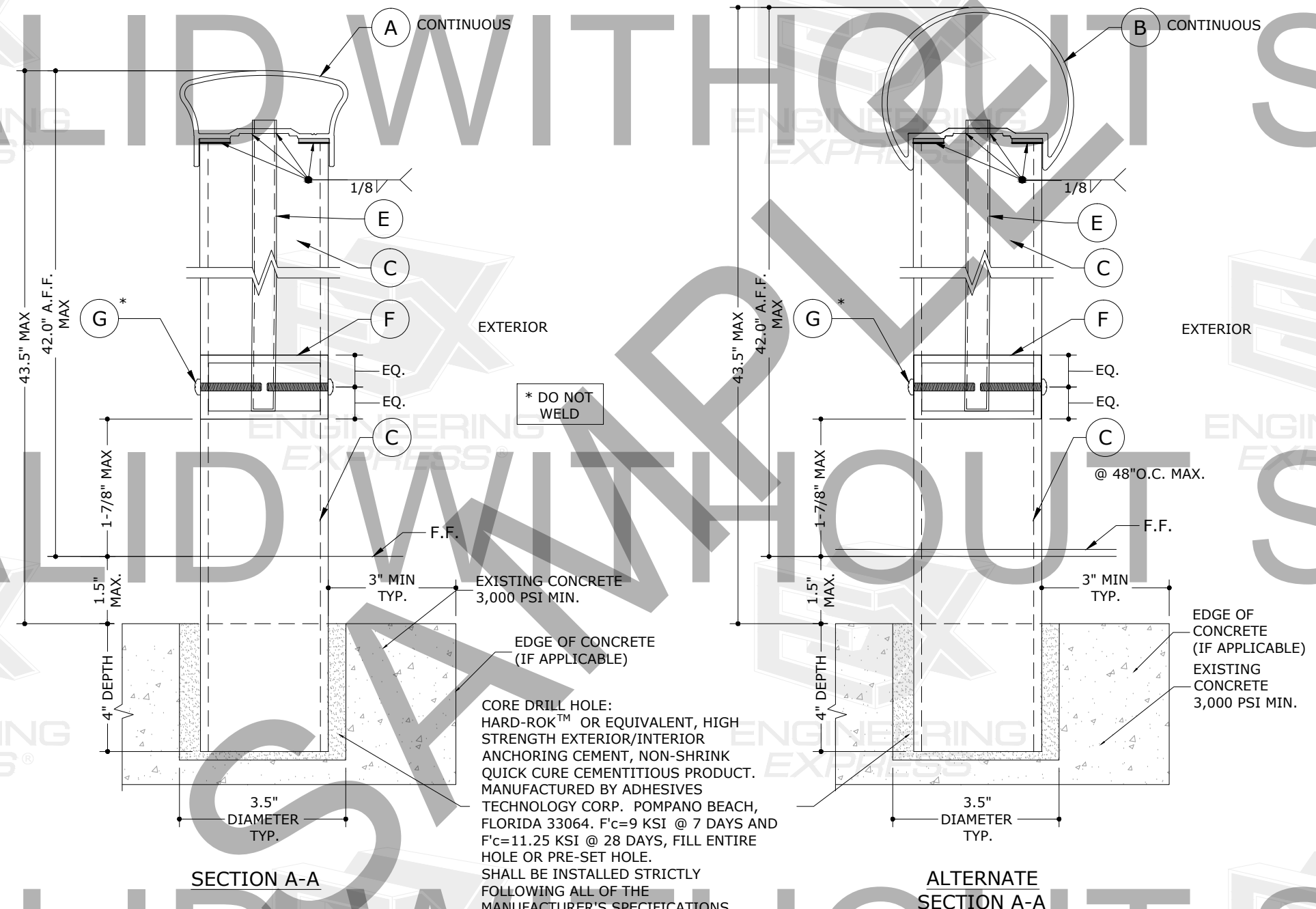
INITIALS

REMARKS

THIS DOCUMENT IS THE PROPERTY OF ENGINEERING EXPRESS AND SHALL NOT BE REPRODUCED IN WHOLE OR PART WITHOUT WRITTEN CONSENT OF ENGINEERING EXPRESS. ALTERATIONS, ADDITIONS, OR OTHER MARKINGS TO THIS DOCUMENT ARE NOT PERMITTED AND INVALIDATE OUR CERTIFICATION.

COPYRIGHT ENGINEERING EXPRESS®
17-5526
SCALE: NTS UNLESS NOTED
1 OF 3

01/19/2018 - 3:49pm luiso V:\Projects\17-5526 Welded Aluminum Picket Railing\WP\17-5526b Aluminum picket railing.dwg



1 TYPICAL PICKET RAILING
 2 SCALE: N.T.S SECTION VIEW

CORE DRILL HOLE:
 HARD-ROK™ OR EQUIVALENT, HIGH STRENGTH EXTERIOR/INTERIOR ANCHORING CEMENT, NON-SHRINK QUICK CURE CEMENTITIOUS PRODUCT. MANUFACTURED BY ADHESIVES TECHNOLOGY CORP. POMPANO BEACH, FLORIDA 33064. F'c=9 KSI @ 7 DAYS AND F'c=11.25 KSI @ 28 DAYS, FILL ENTIRE HOLE OR PRE-SET HOLE. SHALL BE INSTALLED STRICTLY FOLLOWING ALL OF THE MANUFACTURER'S SPECIFICATIONS.

* DO NOT WELD

FRANK L. BENNARDO, P.E.
 PE# 0046549

01/19/2018

IF CHECKED, CERTIFYING P.E. APPEARS BELOW
 SEALING ENGINEER AND PE# APPEARS IN SEAL
 VALID ONLY WITH RAISED ENGINEER SEAL
 VALID FOR 1 PERMIT ONLY U.N.O.

NOTICE: IF THIS SHEET DOES NOT CONTAIN AN ORIGINAL SIGNATURE & ENGINEER SEAL:
 IF THERE IS A DIGITAL SIGNATURE ON SHEET 1, THIS SHEET IS PART OF A DIGITALLY SIGNED FILE, SHALL REMAIN IN DIGITAL FORMAT, & PRINTED COPIES OF THIS DOCUMENT ARE NOT CONSIDERED SIGNED AND SEALED. IF THERE IS NO DIGITAL SIGNATURE ON SHEET 1 OR THIS SHEET DOES NOT CONTAIN AN ENGINEER'S ORIGINAL SIGNATURE & SEAL, THIS SHEET IS A COPY/DRAFT.

ENGINEERING EXPRESS
 CORPORATE OFFICE:
 160 SW 12th AVE, SUITE 106
 DEERFIELD BEACH, FL 33442
 P: (954) 354-0660 F: (954) 354-0443
 E: HELLO@ENGINEERINGEXPRESS.COM
 ENGINEERINGEXPRESS.COM
 CERT OF AUTH #9885

EASTERN METAL SUPPLY
 4268 WESTROADS DR
 WEST PALM BEACH, FL
 9800) 432-2204

ALUMINUM WELDED PICKET RAILING
 FLORIDA BUILDING CODE SIXTH EDITION (2017)

DRWN	CHKD	DATE
LAO	FLB	01/12/18

REMARKS
 INIT ISSUE

THIS DOCUMENT IS THE PROPERTY OF ENGINEERING EXPRESS AND SHALL NOT BE REPRODUCED IN WHOLE OR PART WITHOUT WRITTEN CONSENT OF ENGINEERING EXPRESS. ALTERATIONS, ADDITIONS, OR OTHER MARKINGS TO THIS DOCUMENT ARE NOT PERMITTED AND INVALIDATE OUR CERTIFICATION.

COPYRIGHT ENGINEERING EXPRESS

17-5526

SCALE: NTS UNLESS NOTED

2 OF 3

01/19/2018

IF CHECKED, CERTIFYING P.E. APPEARS BELOW
SEALING ENGINEER AND
PE# APPEARS IN SEAL
VALID ONLY WITH RAISED ENGINEER SEAL
VALID FOR 1 PERMIT ONLY U.N.O.
NOTICE: IF THIS SHEET DOES NOT CONTAIN AN ORIGINAL SIGNATURE & ENGINEER SEAL:
IF THERE IS A DIGITAL SIGNATURE ON SHEET 1, THIS SHEET IS PART OF A DIGITALLY SIGNED FILE, SHALL REMAIN IN DIGITAL FORMAT, & PRINTED COPIES OF THIS DOCUMENT ARE NOT CONSIDERED SIGNED AND SEALED. IF THERE IS NO DIGITAL SIGNATURE ON SHEET 1 OR THIS SHEET DOES NOT CONTAIN AN ENGINEER'S ORIGINAL SIGNATURE & SEAL, THIS SHEET IS A COPY/DRAFT.

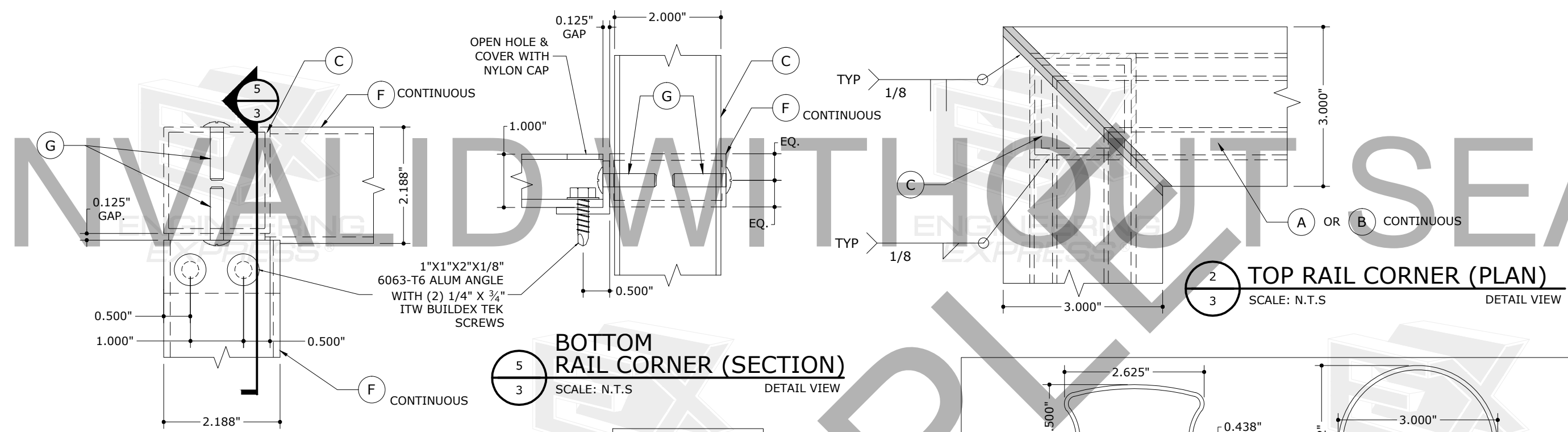
ENGINEERING EXPRESS
CORPORATE OFFICE:
160 SW 12th AVE, SUITE 106
DEERFIELD BEACH, FL 33442
P: (954) 354-0660 F: (954) 354-0443
E: HELLO@ENGINEERINGEXPRESS.COM
ENGINEERINGEXPRESS.COM
CERT OF AUTH #9885

EASTERN METAL SUPPLY
4268 WESTROADS DR
WEST PALM BEACH, FL
9800) 432-2204
ALUMINUM WELDED
PICKET RAILING
FLORIDA BUILDING CODE SIXTH EDITION (2017)

DRWN	CHKD	DATE
LAO	FLB	01/12/18

REMARKS	INIT	ISSUE
THIS DOCUMENT IS THE PROPERTY OF ENGINEERING EXPRESS AND SHALL NOT BE REPRODUCED IN WHOLE OR PART WITHOUT WRITTEN CONSENT OF ENGINEERING EXPRESS. ALTERATIONS, ADDITIONS, OR OTHER MARKINGS TO THIS DOCUMENT ARE NOT PERMITTED AND INVALIDATE OUR CERTIFICATION.		

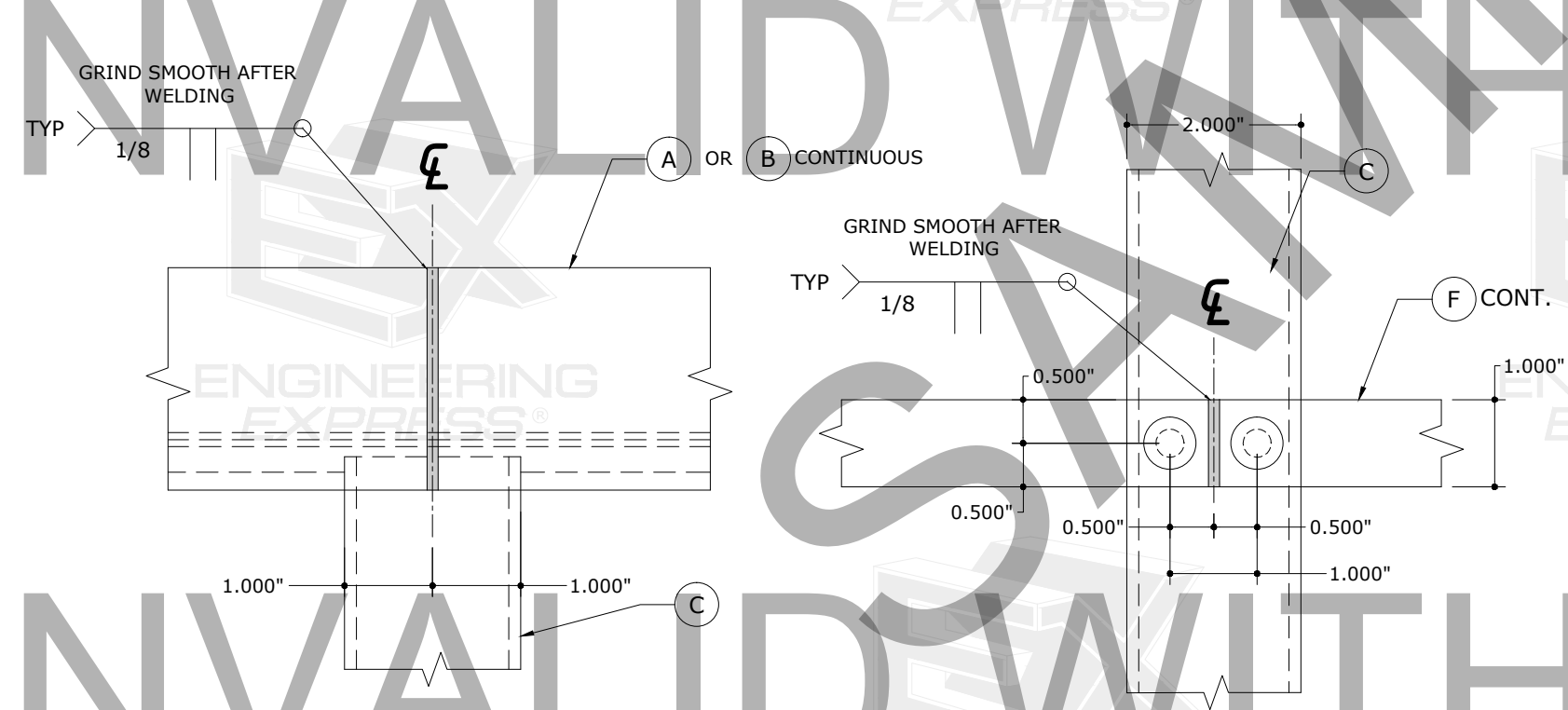
COPYRIGHT ENGINEERING EXPRESS®
17-5526
SCALE: N.T.S. UNLESS NOTED
3 OF 3



1 BOTTOM RAIL CORNER (PLAN)
3 SCALE: N.T.S. DETAIL VIEW

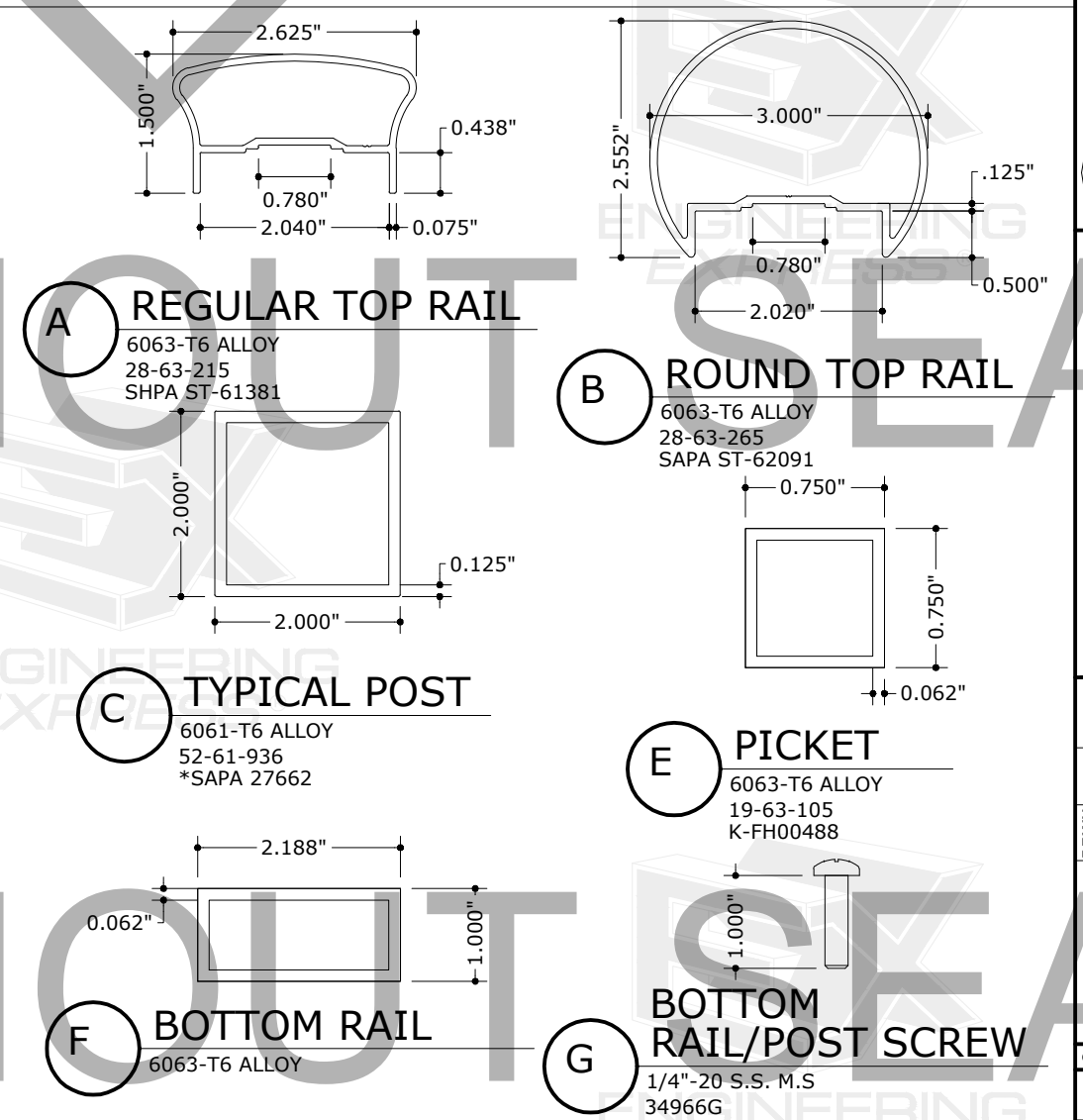
5 BOTTOM RAIL CORNER (SECTION)
3 SCALE: N.T.S. DETAIL VIEW

2 TOP RAIL CORNER (PLAN)
3 SCALE: N.T.S. DETAIL VIEW



3 TOP RAIL SPLICE
3 SCALE: N.T.S. DETAIL VIEW

4 BOTTOM RAIL SPLICE
3 SCALE: N.T.S. DETAIL VIEW



A REGULAR TOP RAIL
6063-T6 ALLOY
28-63-215
SHPA ST-61381

B ROUND TOP RAIL
6063-T6 ALLOY
28-63-265
SAPA ST-62091

C TYPICAL POST
6061-T6 ALLOY
52-61-936
*SAPA 27662

E PICKET
6063-T6 ALLOY
19-63-105
K-FH00488

F BOTTOM RAIL
6063-T6 ALLOY

G BOTTOM RAIL/POST SCREW
1/4"-20 S.S. M.S.
34966G

6 RAILING EXTRUSIONS
3 SCALE: N.T.S. DETAIL VIEW

V:\Projects\17-5526 Welded Aluminum Picket Railing\WP\17-5526b Aluminum picket railing.dwg
luiso
01/19/2018 - 3:49pm