

STEEL FRAMED ENCLOSURE GATE MASTER PLAN SHEET

NON-STRUCTURAL, DECORATIVE BARRIER, TYPICAL INSTALLATION N.T.S. (NON-SLOPED GROUND LEVEL ONLY, TYPICAL FOR DUMPSTER ENCLOSURES)

DRAWING VALID ONLY WITH ORIGINAL SIGNATURE AND RAISED SEAL. VALID FOR (5) GATES AT (1) LOCATION PER SEALED DRAWING

FRANK L. BENNARDO, P.E.
PE# 0046549

02/16/2018

IF CHECKED, CERTIFYING P.E. APPEARS BELOW
GORDON DIBATTISTO, P.E.
82328

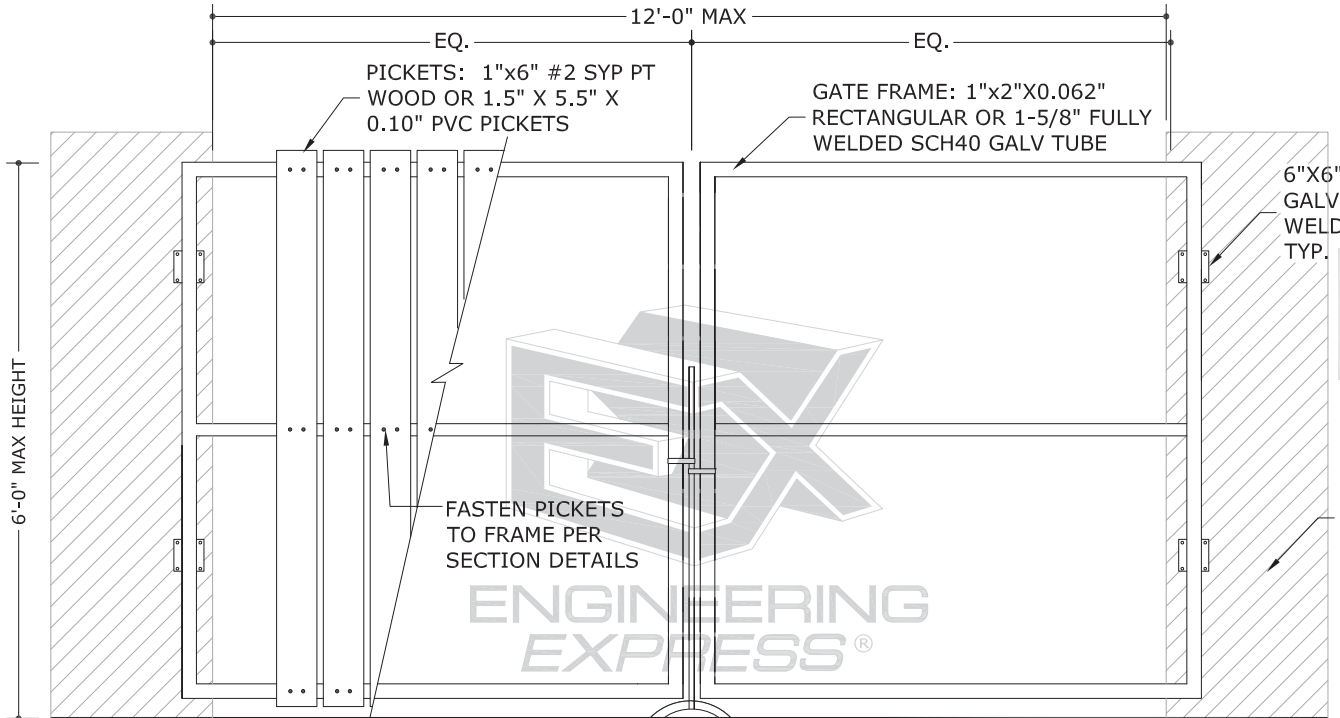
VALID FOR 1 PERMIT ONLY U.N.O.

NOTICE: IF THIS SHEET DOES NOT CONTAIN AN ORIGINAL SIGNATURE & ENGINEER SEAL:

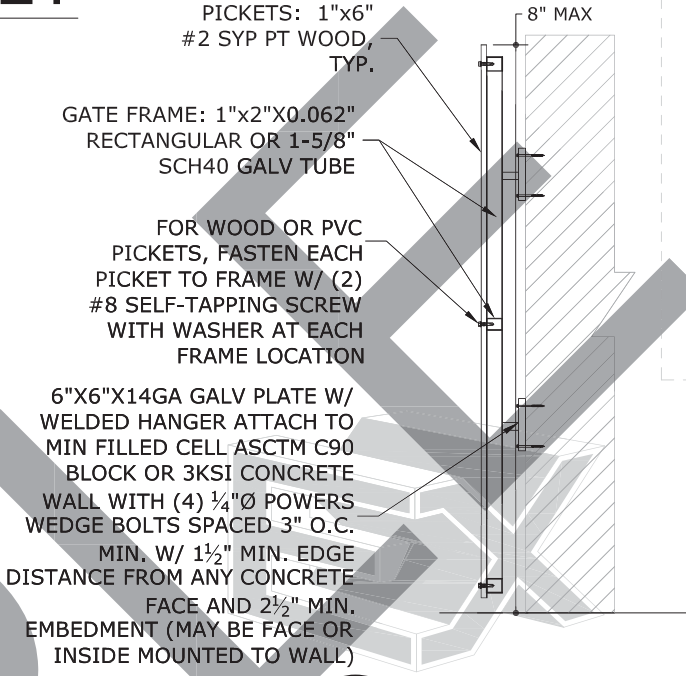
IF THERE IS A DIGITAL SIGNATURE ON SHEET 1, THIS SHEET IS PART OF A DIGITALLY SIGNED FILE, SHALL REMAIN IN DIGITAL FORMAT, & PRINTED COPIES OF THIS DOCUMENT ARE NOT CONSIDERED SIGNED AND SEALED. IF THERE IS NO DIGITAL SIGNATURE ON SHEET 1 OR THIS SHEET DOES NOT CONTAIN AN ENGINEER'S ORIGINAL SIGNATURE & SEAL, THIS SHEET IS A COPY/DRAFT.

ENGINEERING EXPRESS
CORPORATE OFFICE:
160 SW 12th AVE, SUITE 106
DEERFIELD BEACH, FL 33442
P: (954) 354-0660 F: (954) 354-0443
E: HELLO@ENGINEERINGEXPRESS.COM
ENGINEERINGEXPRESS.COM
CERT OF AUTH #9885

DUMPSTER SWING GATE
MASTER PLAN SHEET
FLORIDA BUILDING CODE SIXTH EDITION (2017)



NOT FOR POOL APPLICATIONS
GATES SHALL BE IN A SECURED POSITION DURING WINDSTORM EVENTS >75MPH SUSTAINED

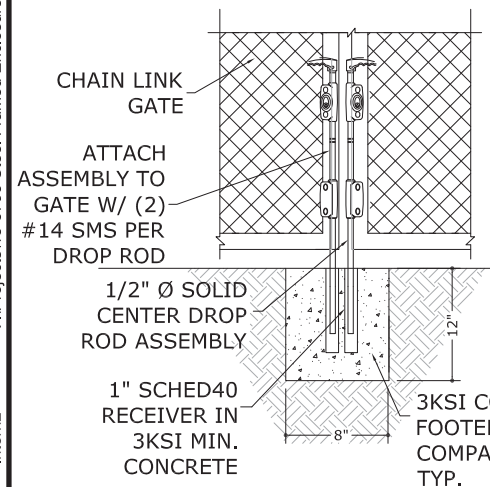


2 SECTION VIEW
1 TYP. FOR BOTH APPLICATIONS, N.T.S.

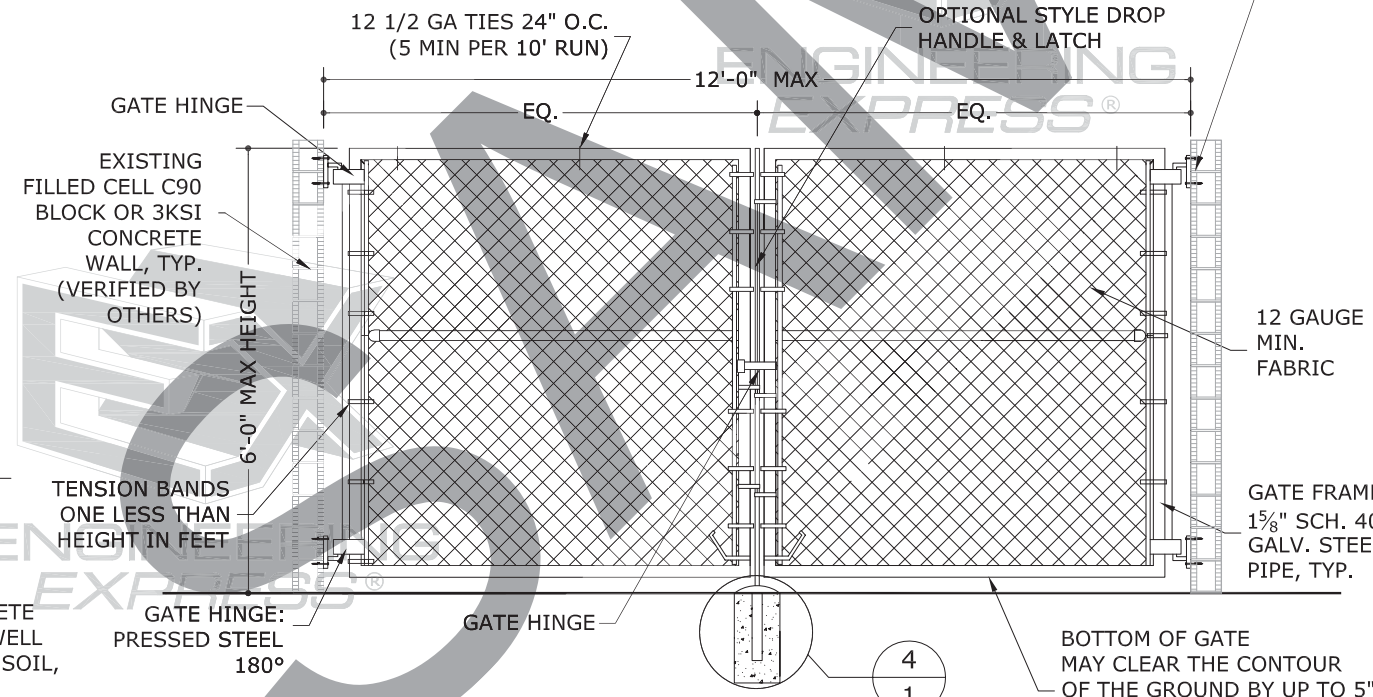
1 SOLID DUMPSTER GATE
1 N.T.S. ELEVATION VIEW

PVC TO BE ASTM 01784 EXTRUDED D638 FLEX STR. 9600 PSI D790 TO CONFORM TO ASTM F964 FOR RIGID POLYVINYL PROFILES.

PROVIDE MIN 12 GA STEEL MALE WALL HINGE (DROP-IN STYLE) AT TOP AND BOTTOM OF GATE W/ (2) 5/16"Ø ITW TAPCONS PER HINGE SPACED 3 3/4" O.C. WITH 2-1/4" MIN. EMBED INTO 3KSI GROUT-FILLED BLOCK OR Poured CONCRETE AND 4" MIN. EDGE DISTANCE FROM ANY CONCRETE FACE, TYP. (MAY BE FACE OR INSIDE MOUNTED TO WALL)



4 DROP ROD ASSEMBLY
1 N.T.S. ELEVATION VIEW



3 OPEN CHAIN LINK GATE
1 N.T.S. ELEVATION VIEW

BOTTOM OF GATE MAY CLEAR THE CONTOUR OF THE GROUND BY UP TO 5" WHILE MAINTAINING HEIGHT VALUE

GENERAL NOTES

- THIS SYSTEM HAS BEEN DESIGNED AND SHALL BE FABRICATED IN ACCORDANCE WITH THE REQUIREMENTS OF THE FLORIDA BUILDING CODE 6TH EDITION (2017).
- DESIGN BASED ON ASCE 7-10 USING $V_{ult} = 115\text{MPH} / V_{asd} = 90\text{MPH}$ (3 SEC GUST, UP TO 6'-0" WITHIN HVHZ), $V_{ult} = 156\text{MPH} / V_{asd} = 121\text{MPH}$ (3 SEC GUST, ABOVE 6'-0" OR OUTSIDE HVHZ), EXPOSURE 'D', RISK CATEGORY I, USING THE 'OPEN SIGN METHOD'.
- SEISMIC DESIGN DOES NOT GOVERN. SEISMIC PARAMETERS CHECKED: RISK CATEGORY II, IMPORTANCE FACTOR 1.0, $S_s = 0.05533$, $S_1 = 0.02187$, SITE CLASS D, $S_{ds} = 0.059$, $SD_1 = 0.035$, SEISMIC DESIGN CATEGORY A, BASIC SEISMIC FORCE-RESISTING SYSTEMS ALL OTHER SELF-SUPPORTING STRUCTURES, DESIGN BASE SHEAR 25 LBS (WEIGHT OF TRIBUTARY MAX=500LB, UP TO 10FT ABOVE GRADE), $C_s = 0.047$, $R = 1.25$, NON-BUILDING EQUIVALENT LATERAL FORCE PROCEDURE ANALYSIS.
- THIS GATE DESIGN TO BE USED AT FLAT GROUND SURFACE ONLY, WITH USE LIMITED TO DECORATIVE BARRIER PURPOSES ONLY. THIS FENCE IS NOT INTENDED TO MEET CODES GOVERNING ELEVATED BALCONIES OR STRUCTURAL RAILINGS.
- ALL FASTENERS TO BE #12 X 3/4" OR GREATER 2024-T4, 18-8 SERIES 300 NON-MAGNETIC STAINLESS STEEL, OR CADMIUM PLATED OR OTHERWISE CORROSION RESISTANT MATERIAL AND SHALL COMPLY WITH 5.1.1C, SPECIFICATIONS FOR ALUM. STRUCTURES -SECTION 1, THE ALUMINUM ASSOCIATION, INC., & APPLICABLE FEDERAL, STATE, AND LOCAL CODES.
- ALL STEEL MEMBERS SHALL CONFORM TO ASTM A500 GRADE B AND CURRENT EDITION OF AISC W/ MINIMUM $F_y = 42\text{KSI}$.
- ALL LUMBER SHALL BE A MINIMUM OF PRESSURE TREATED #2 SYP OR BETTER WITH A MINIMUM FIBER STRESS OF 1100PSI IN BENDING.
- ALL CONCRETE AND EPOXY TO REACH A MINIMUM COMPRESSIVE STRENGTH OF 3000 PSI IN 7 DAYS. CONCRETE FOOTERS SHALL CONTAIN MINIMUM 0.1% FIBERMESH CONTENT PER CUBIC YARD. ALL EPOXY AND GROUT SHALL MEET OR EXCEED COMPRESSIVE STRENGTH OF THE CONCRETE AND SHALL BE IRON-FREE, NON-SHRINK AND NON-REACTIVE.
- SURROUNDING SOIL TO BE COMPACTED TO 95% OPTIMUM DENSITY, 2000 PSF MIN AND SHALL BE CLASSIFIED OR VERIFIED BY OTHERS PRIOR TO CONSTRUCTION PER FBC 1806.2 AND SHALL BE SANDY GRAVEL CLASS ONLY.
- ALL WELDING MUST BE DONE BY AN AWS CERTIFIED WELDER OR SHALL CONFORM TO AISC STEEL CONSTRUCTION MANUAL 13TH ED AS INSPECTED AND VERIFIED BY OTHERS. MIN. WELD IS 1/8" FULL FILLET WELD.
- THE CONTRACTOR IS RESPONSIBLE TO INSULATE ALL MEMBERS FROM DISSIMILAR MATERIALS TO PREVENT ELECTROLYSIS.
- ELECTRICAL GROUND, WHEN REQUIRED, TO BE DESIGNED & INSTALLED BY OTHERS.
- ENGINEER SEAL AFFIXED HERETO VALIDATES STRUCTURAL DESIGN AS SHOWN ONLY. USE OF THIS SPECIFICATION BY CONTRACTOR, et. al. INDEMNIFIES & SAVES HARMLESS THIS ENGINEER FOR ALL COST & DAMAGES INCLUDING LEGAL FEES & APPELLATE FEES RESULTING FROM MATERIAL FABRICATION, SYSTEM ERECTION, CONSTRUCTION PRACTICES BEYOND THAT WHICH IS CALLED FOR BY LOCAL, STATE, & FEDERAL CODES & FROM DEVIATIONS OF THIS PLAN.
- THIS DOCUMENT IS GENERIC AND DOES NOT PERTAIN TO ANY SPECIFIC PROJECT SITE. INFORMATION CONTAINED HEREIN IS BASED ON CONTRACTOR-SUPPLIED DATA AND MEASUREMENTS. ENGINEERING EXPRESS SHALL NOT BE HELD RESPONSIBLE OR LIABLE IN ANY WAY FOR ERRONEOUS OR INACCURATE DATA OR MEASUREMENTS. DIMENSIONS ARE SHOWN TO ILLUSTRATE DESIGN FORCES AND OTHER DESIGN CRITERIA. THEY MAY VARY SLIGHTLY, BUT MUST REMAIN WITHIN THE LIMITATIONS SPECIFIED HEREIN. WORK SHALL BE FIELD VERIFIED BY OTHERS PRIOR TO CONSTRUCTION. ENGINEERING EXPRESS SHALL BE NOTIFIED AND GIVEN AN OPPORTUNITY TO REEVALUATE OUR WORK UPON DISCOVERY OF ANY INACCURATE INFORMATION PRIOR TO MODIFICATION OF EXISTING FIELD CONDITIONS AND FABRICATION AND INSTALLATION OF MATERIALS. ALTERATIONS OR ADDITIONS TO THIS DOCUMENT ARE NOT PERMITTED AND INVALIDATE OUR CERTIFICATION.
- EXCEPT AS EXPRESSLY PROVIDED HEREIN, NO ADDITIONAL CERTIFICATIONS OR AFFIRMATIONS ARE INTENDED.

REMARKS	DATE	DRWN	CHKD
INIT ISSUE	02/15/18	YS	FLB

THIS DOCUMENT IS THE PROPERTY OF ENGINEERING EXPRESS, AND SHALL NOT BE REPRODUCED IN WHOLE OR PART WITHOUT WRITTEN CONSENT OF ENGINEERING EXPRESS. ALTERATIONS, ADDITIONS, OR OTHER MARKINGS TO THIS DOCUMENT ARE NOT PERMITTED AND INVALIDATE OUR CERTIFICATION.

18-5793

SCALE:

1 OF 1

V:\Projects\18-5793 Steel Framed Enclosure Gate Master Plan Sheet\WP18-5793 Chain Link - Wood Dumpster Gate.dwg intern2 02/16/2018 - 2:53pm