

# Current-Mode Active-C Biquad Filter Using Single MO-CCCFTA

R. S. Tomar<sup>1</sup>, C. Chauhan<sup>2</sup>, S. V. Singh<sup>3</sup> and D. S. Chauhan<sup>4</sup>

**Abstract**— This paper presents a new current-mode active-C biquad filter employing single multi-output current controlled current follower trans-conductance amplifier (MO-CCCFTA). The proposed filter employs only two grounded capacitors. The proposed filter can simultaneously realize low pass (LP), band pass (BP) and high pass (HP) responses in current form by choosing appropriate current output branches. In addition, the pole frequency of proposed current-mode filter circuit can be tuned electronically and independent of quality factor, by simultaneous adjusting the external bias currents. The circuit possesses low sensitivity performance and low power consumptions. The validity of proposed filter is verified through PSPICE simulations.

**Keywords**— CCCFTA, current-mode, biquad, active-C

## Introduction

The current-mode filters, where information is represented by the branch currents of the circuits, are receiving significant attention owing to their large dynamic range, larger bandwidth, greater linearity, simple circuitry, low power consumption and less chip area over their voltage-mode counter parts, where information is represented by nodal voltage of the circuits[1-2]. They can be classified as single-input multiple-output (SIMO) or multiple-input single-output (MISO). There has been a great attention on the design and study of current-mode SIMO filter due to simultaneous realization of multi-function filtering outputs, without changing the connection of the input current signal and without current signal matching. During the last one

decade and recent past a number of universal current-mode SIMO active filters have been reported in the literature [3-20], using different electronically tunable current-mode active elements such as current controlled current conveyor (CCCII) [3-6], operational transconductance amplifier (OTA)[7], current differencing transconductance amplifier (CDTA)[8,9,15,17,18], current follower transconductance amplifier (CFTA)[10-12], current conveyor transconductance amplifier (CCTA) [16], current controlled current conveyor transconductance amplifier (CCCCTA) [13-14 ], VDTA [19] and current controlled current follower transconductance amplifier (CCCFTA) [20]. The current-mode filters reported in Refs. [3-14] realize multi-filtering functions but they require excessive number of active elements (more than two). On the other hand, the active filter employing low active components is more beneficial from fabrication point of view. Moreover, it can also reduce the power consumption and the area of chip when it builds in the form as ICs. So several current-mode filters using single active element (minimum number of active element) have been proposed in the literature [15-20]. The filter circuits reported in Refs. [15-19] consists of at least three passive elements (two grounded capacitors and one or two resistors) and realize two or three filtering functions simultaneously. However, all the reported filter circuits [15-20] based on single active element provide only one filtering function in the form of explicit current output. Explicit current outputs are necessary for the cascading of current-mode filter. The current-mode filter circuit reported in ref. [20] uses single CCCFTA, two grounded capacitors and realizes three filtering functions (LP, BP, HP). However, it provides two current-mode filtering functions (BP, HP) through passive elements (capacitors).

In this paper, a new current-mode tunable biquad filter based on single MO-CCCFTA is proposed. The proposed filter employs only two grounded capacitors as passive elements. The proposed filter can simultaneously realize LP, BP and HP responses in current form in which two of the outputs (LP, BP) are explicitly available. The circuit possesses low sensitivity performance and low power consumptions. The validity of proposed filter is verified through PSPICE, industry standard tool.

## MO-CCCFTA and Proposed Current-Mode Active-C Filter

CCCFTA is relatively new proposed current mode active building block [20-21] which is the modified version of CFTA. The properties of ideal MO-CCCFTA can be characterized by the following set of equations

$$V_f = i_f R_f, I_{\pm Z} = \pm I_f, I_{\pm X} = \pm g_m V_Z \quad (1)$$

R.S. Tomar<sup>1</sup>

Anand Engineering College, Agra- 282007  
India

C. Chauhan<sup>2</sup>

Punjab Engineering College, Sector-12, Chandigarh- 160012  
India

S. V. Singh<sup>3</sup>

Jaypee Institute of Information Technology, Sector-128, Noida- 201304  
India

D. S. Chauhan<sup>4</sup>

Vice Chancellor, Uttarakhand Technical University, Dehradun  
India

where  $g_m$  and  $R_f$  are trans-conductance and input parasitic resistance of the MO-CCCFTA, respectively. The  $g_m$  and  $R_f$  depend upon the biasing currents  $I_S$  and  $I_B$  of the MO-CCCFTA, respectively. The schematic symbol of MO-CCCFTA is illustrated in Fig 1. For MOS model of CCCFTA [21],  $R_f$  and  $g_m$  can be expressed as

$$R_f = \frac{1}{\sqrt{8\beta_n I_B}} \quad \text{and} \quad g_m = \sqrt{\beta_n I_S} \quad (2)$$

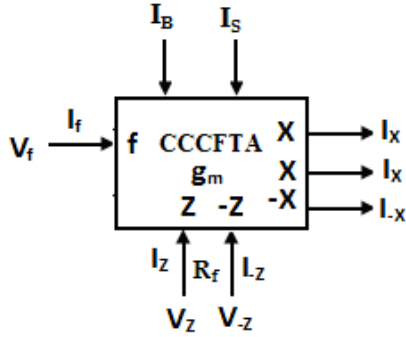


Fig. 1. MO-CCCFTA Symbol

Where  $\beta_n$  is given by

$$\beta_n = \mu_n C_{OX} \left( \frac{W}{L} \right) \quad (3)$$

where  $\mu_n$ ,  $C_{OX}$  and  $W/L$  are the electron mobility, gate oxide capacitance per unit area and transistor aspect ratio of NMOS, respectively. The proposed current-mode biquad filter with single input and three outputs is shown in Fig. 2. It is based on only single MO-CCCFTA and two grounded capacitors. Routine analysis of the proposed circuit yields the following current transfer functions.

$$\frac{I_{LP}}{I_{in}} = \frac{g_m}{R_f C_1 C_2 s^2 + R_f g_m C_1 s + g_m} \quad (4)$$

$$\frac{I_{BP}}{I_{in}} = \frac{-R_f g_m C_1 s}{R_f C_1 C_2 s^2 + R_f g_m C_1 s + g_m} \quad (5)$$

$$\frac{I_{HP}}{I_{in}} = \frac{R_f C_1 C_2 s^2}{R_f C_1 C_2 s^2 + R_f g_m C_1 s + g_m} \quad (6)$$

It is clear from (4) – (6) that the proposed current-mode filter can realize LP, BP and HP responses. The pole frequency ( $\omega_0$ ) and quality factor ( $Q$ ) of the proposed circuit is given by

$$\omega_0 = \sqrt{\frac{g_m}{R_f C_1 C_2}} = \sqrt{\frac{\beta_n (8I_B I_S)^{\frac{1}{2}}}{C_1 C_2}} \quad (7)$$

$$Q = \sqrt{\frac{C_2}{R_f g_m C_1}} = \sqrt{\left( \frac{8I_B}{I_S} \right)^{\frac{1}{2}} \frac{C_2}{C_1}} \quad (8)$$

From (7) and (8), it can be remarked that the  $\omega_0$  can be electronically controlled without affecting  $Q$ , by simultaneously variations of biasing currents  $I_B$  and  $I_S$ . The active and passive sensitivities of the proposed circuit as shown in Fig. 2, can be found as

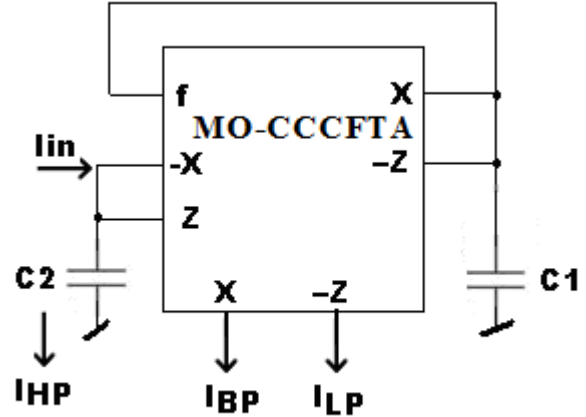


Fig. 2. Proposed MO-CCCFTA based current-mode biquad filter

$$S_{C_1, C_2}^{\omega_0} = -\frac{1}{2}, S_{I_B, I_S}^{\omega_0} = \frac{1}{4}, S_{\beta_n}^{\omega_0} = \frac{1}{2} \quad (9)$$

$$S_{C_1}^Q = -\frac{1}{2}, S_{I_S}^Q = -\frac{1}{4}, S_{C_2}^Q = \frac{1}{2}, S_{I_B}^Q = \frac{1}{4} \quad (10)$$

From the above results, it can be observed that all the active and passive sensitivities are low by being within half in magnitude.

## Simulation Results

The PSPICE simulations are carried out to demonstrate the feasibility of the proposed circuit using CMOS implementation as shown in Fig. 3. The simulations use a 0.35 $\mu$ m MOSFET from TSMC whose model parameters are given in Table 1. The dimensions of PMOS are determined as  $W=3\mu$ m and  $L=2\mu$ m. In NMOS transistors, the dimensions are  $W=3\mu$ m and  $L=4\mu$ m. The circuit is designed for  $Q=0.91$  and  $f_0=\omega_0/2\pi=1.05$  MHz. The active and passive components are chosen as  $I_B=4\mu$ A,  $I_S=46.5\mu$ A,  $V_{DD} = -V_{SS}= 1.5$ V and  $C_1=C_2=10$ pF. Fig.4 shows the simulated current gain responses of the LP, BP and HP of the proposed filter. Fig. 5 shows the magnitude as well as phase responses of BP, LP and HP filtering functions. The simulation results show the simulated pole frequency as 1.01 MHz that is ~4% in error with the theoretical value. The power dissipations of the proposed circuit for the design values is found as 0.66 mW that is a low value.

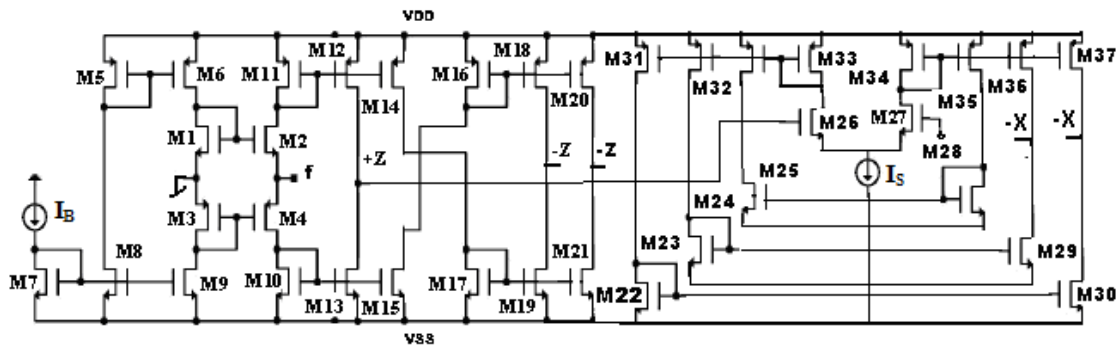


Fig. 3. CMOS Implementation of MO-CCCFTA

Table 1. The SPICE model parameters of MOSFET for level 3, 0.35  $\mu\text{m}$  CMOS process from TSMC

NMOS	LEVEL=3 TOX=7.9E-9 NSUB=1E17 GAMMA=0.5827871 PHI=0.7 VTO=0.5445549 DELTA=0 UO=436.256147 ETA=0 THETA=0.1749684 KP=2.055786E-4 VMAX=8.309444E4 KAPPA=0.2574081 RSH=0.0559398 NFS=1E12 TPG=1 XJ=3E-7 LD=3.162278E-11 WD=7.046724E-8 CGDO=2.82E-10 CGSO=2.82E-10 CGBO=1E-10 CJ=1E-3 PB=0.9758533 MJ=0.3448504 CJSW=3.777852E-10 MJSW=0.3508721
PMOS	LEVEL=3 TOX=7.9E-9 NSUB=1E17 GAMMA=0.4083894 PHI=0.7 VTO=-0.7140674 DELTA=0 UO=212.2319801 ETA=9.999762E-4 THETA=0.2020774 KP=6.733755E-5 VMAX=1.181551E5 KAPPA=1.5 RSH=30.0712458 NFS=1E12 TPG=-1 XJ=2E-7 LD=5.000001E-13 WD=1.249872E-7 CGDO=3.09E-10 CGSO=3.09E-10 CGBO=1E-10 CJ=1.419508E-3 PB=0.8152753 MJ=0.5 CJSW=4.813504E-10 MJSW=0.5

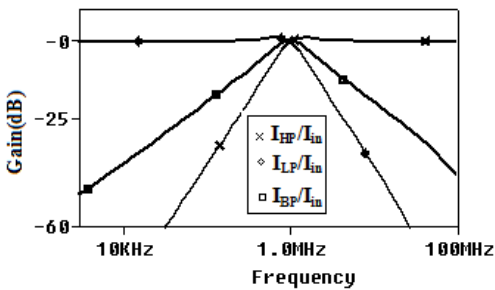
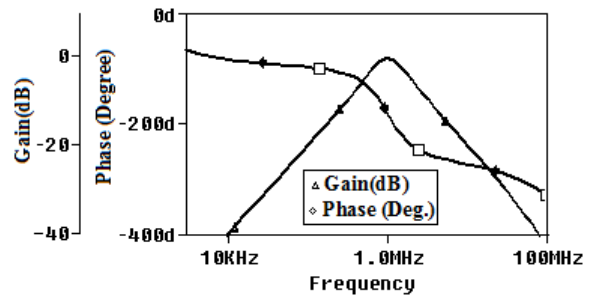
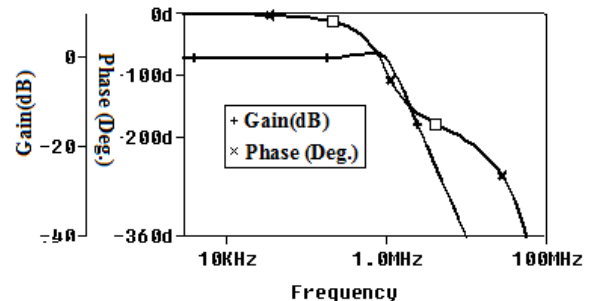


Fig. 4. Gain responses for LP, BP and HP for the proposed current-mode filter

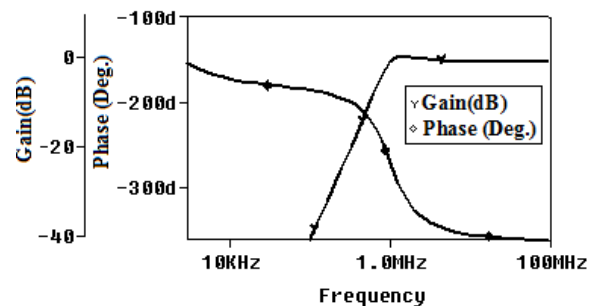
Further simulations are carried out to verify the total harmonic distortion (THD). The circuit is verified by applying a sinusoidal input ( $I_{in}$ ) of varying frequency and amplitude of 25  $\mu\text{A}$ . The THD measured at the LP output are found to be less than 3% while frequency is varied from 50 KHz to 600 KHz. The time domain behavior of the proposed current-mode filter is also investigated by applying a 500 KHz sinusoidal input current signal with peak to peak amplitude of 40  $\mu\text{A}$ . Fig. 6 shows the time domain sinusoidal



(a)



(b)



(c)

Fig. 5. Gain and phase responses for (a) BP, (b) LP and (c) HP for the proposed current-mode filter

current input and corresponding LP output waveform for the proposed filter. Thus, both THD analysis and time domain response of LP output confirm the practical utility of the proposed circuit.

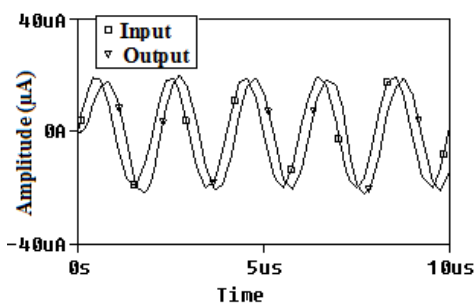


Fig. 6. The time domain sinusoidal current input and corresponding current-mode LP output

## iv. Conclusion

In this paper, a new current-mode biquad filter with single input and three outputs using only single MO-CCCFTA and two grounded capacitors has been presented. The proposed current-mode filter can realize LP, BP and HP responses. In additions, it also offers several advantages, such as current controlled of  $\omega_0$  independent of Q through bias currents, the use of the grounded capacitors, low power consumptions, low active and passive sensitivities.

## References

- [1] B. Wilson, "Recent developments in current mode circuits," Proc. IEE., Pt. G, vol. 137, pp. 63-77, 1990.
- [2] G. W. Roberts and A. S. Sedra, "All current-mode frequency selective circuits," Electronics Lett., vol. 25, pp. 759-761, 1989.
- [3] S. Maheshwari and I. A. Khan, "Novel cascadable current-mode translinear-C universal filter," Active Passive Electronic component, vol. 27, pp. 215-218, 2004.
- [4] R. Senani, V. K. Singh, A. K. Singh, and D. R. Bhaskar, "Novel electronically controllable current mode universal biquad filter," IEICE Electronics Express, vol. 1, pp. 410-415, 2004.
- [5] W. Tangsrirat, "Current-tunable current-mode multifunction filter based on dual-output current-controlled conveyors," Int'l J. Electronics and communication (AEU), vol. 61, pp. 528-533, 2007.
- [6] W. Tangsrirat and W. Surakamponorn, "High output impedance current-mode universal filter employing dual-output current-controlled conveyors and grounded capacitors," Int'l J. Electronics and communication (AEU), vol. 61, pp. 127-131, 2007.
- [7] M. T. Abuelmatti and A. Bentrchia, "New universal current-mode multiple-input multiple-output OTA-C filter," The 2004 IEEE Asia Pacific Conference on Circuits and Systems, pp. 1037-1040, 2004.
- [8] A. U. Keskin, D. Biolek, E. Hancioglu and V. Biolkova, Current-mode KHN filter employing current differencing transconductance amplifiers, Int'l J. Electronics and Communications (AEU), vol. 60, pp. 443-446, 2006.
- [9] D. Biolek and V. Biolkova, "CDTA-C current-mode universal 2<sup>nd</sup> order filter," In Proceeding of the 5<sup>th</sup> Int'l Conf. on Applied Informatics and Communications, pp. 411-414, 2003.
- [10] N.Herencsar, J. Koton, K.Vrva and A. Lahiri, "Novel mixed-mode KHN equivalent filter using Z-copy CFTAs and Grounded Capacitors," Latest Trends On Circuits, Systems and Signals, pp. 87-90, 2010.
- [11] J. Satansup and W. Tangsrirat, "Single input five output electronically tunable current-mode biquad consisting of only ZC-CFTAs and grounded capacitors," Radioengineering J., vol. 20, pp. 273-280, 2011.
- [12] W. Tangsrirat, "Single input three output electronically tunable universal current-mode filter using current follower transconductance amplifiers,

"Int'l J. Electronics and communication (AEU), vol. 65, pp. 783-787, 2011.

- [13] S. Maheshwari, S. V. Singh and D. S. Chauhan, "Electronically tunable low voltage mixed-mode universal biquad filter," IET Circuits, Devices and Systems, vol. 5, no. 3, pp. 149-158, 2011.
- [14] S. V. Singh, S. Maheshwari and D. S. Chauhan, "Universal current-controlled current-mode biquad filter employing MO-CCCCTAs and grounded capacitors," J. Circuits and Systems, vol. 1, pp. 35-40, 2010.
- [15] N. A. Shah, M. Quadri, S. Z. Iqbal, "Current-mode multifunction filter using current differencing transconductance amplifier," Indian J. Pure and Applied Physics, vol. 45, pp. 767-769, 2007.
- [16] N.Herencsar, J. Koton and K.Vrva, "Single CCTA-based universal biquad filters employing minimum components," Int'l J. Computer and Electrical Engineering, vol. 1, pp. 307-310, 2009.
- [17] D. Prasad, D. R. Bhaskar and A. K. Singh, "Universal current-mode biquad filter using dual output current differencing transconductance amplifier," Int'l J. Electronics and communication (AEU), vol. 63, pp. 497-501, 2009.
- [18] D. Biolek, V. Biolkova and Z. Kolka, "Current-mode biquad employing CDTA," Indian J. Pure and Applied Physics, vol. 47, pp. 535-537, 2009.
- [19] D. Prasad, D. R. Bhaskar and M. Srivastava, "Universal current-mode biquad filter using a VDTA," J. Circuits and Systems, vol. 4, pp. 32-36, 2013.
- [20] N.Herencsar, J. Koton, K.Vrva, K. Vrba, A. Lahiri and O. Cicekoglu, "Current-controlled CFTA-based current-mode SITO universal filter and quadrature oscillator," In Proceeding of Int'l Conf. on Applied Electronics, pp. 121-124, 2010.
- [21] W. Jaikla, S. Lawanwisut, M. Siripruchyanum and P. Prommee, "A four inputs single-output current-mode biquad filter using a minimum number of active and passive components," In Proceeding of Int'l Conf. on Telecommunications and Signal Processing, Prague ( TSP-2012), pp. 378-381, 2012.

About Author (s):

**R. S. Tomar** was born in Aligarh, India. He obtained his B. E (1995) from Bombay University, M. E. (2004) from Agra. He is currently associated with Anand Engineering College, Agra. His research areas include designing of microwave and analog circuits. He has published no. of papers in National and International Conferences.

**C. Chauhan** was born in Varanasi, India. He obtained his B. E. in Electronics Engineering from Punjab Engineering College, Chandigarh. His research areas include designing of CMOS Analog and Digital circuits.

**S. V. Singh** was born in Agra, India. He received his B.E. degree (1998) in Electronics and Telecommunication from NIT Silchar, Assam (India), M.E. degree (2002) from MNIT Jaipur, Rajasthan (India) and Ph.D. degree (2011) from Uttarakhand Technical University. He is currently working as Assistant Professor in the Department of Electronics and Communication Engineering of Jaypee Institute of Information Technology, Noida (India) and has been engaged in teaching and design of courses related to the design and synthesis of Analog and Digital Electronic Circuits. His research areas include Analog IC Circuits and Filter design. He has published more than 20 research papers in various International Journal/Conferences.

**D. S. Chauhan** was born in Dholpur, India. He obtained his B.Sc Engg.(1972) in Electrical Engineering at I.T. B.H.U., M.E. (1978) at R.E.C. Tiruchirapalli ( Madras University ) and PH.D. (1986) at IIT/Delhi. His brilliant career brought him to teaching profession at Banaras Hindu University where he was Lecturer, Reader and then has been Professor till today. He has been director KNIT Sultanpur in 1999-2000 and founder vice Chancellor of U.P.Tech. University (2000-2003-2006). Later on, he has served as Vice-Chancellor of Lovely Professional University (2006-07) and Jaypee University of Information Technology (2007-2009). Currently he has been serving as Vice-Chancellor of Uttarakhand Technical University. He has supervised 24 Ph.D., one D.Sc. He has authored two books and published and presented 170 research papers in international journals and international conferences. His research areas include Analog IC Circuits and Control Systems design.