

A Design for Cyclic Time-to-Digital Converter

Sheng Feng Lin¹ and Chun Wei Lin²

Abstract—The time-to-digital converter is a widely used device for measuring pulse width, jitter and timing characteristic of signal. In this paper, we present a cyclic time-to-digital converter based on the pulse-shrinking technique. Through utilizing the Schmitt trigger and design rules, the resolution of pulse-shrinking cell can be precisely adjusted by controlling the high and low threshold voltage of the transition. The proposed time-to-digital converter was implemented by TSMC 0.35 μ m 3.3V process and the simulation results show the resolution of circuit is very well that less than 20ps. In addition, within 4ns, the differential nonlinearity is less than 0.5LSB with respect to the resolution of 20ps.

Keywords—time-to-digital converter, pulse-shrinking element, Schmitt Trigger

I. Introduction

Time-to-digital converter (TDC) is widely used in laser range-finder, all digital delay-locked loop (DLL), smart temperature sensor, built-in self-test circuit, automatic test equipment and so on [1-3]. There are various methods of designing TDC. These methods can be categorized into two major structures: analog and digital. Based on the time-to-voltage conversion and dual-slope method, the conventional analog structure for time interval measurement is charging or discharging a capacitor with a constant current to integrate an analog voltage and converting the voltage into a digital code by an analog-to-digital converter (ADC) [4-5]. However, these structures are vulnerable to system noise. Based on the delay element, the digital structures can be further classified into several kinds such as the vernier delay line based [6-7], and the pulse-shrinking based [8-11]. The vernier delay structure often utilizes two digital delay lines with different delay quantity respectively to produce multiphase clocks for a D flip-flop chain. The effective time resolution of vernier delay structure is determined by the difference between two digital delay lines. However, the mismatches between the delay cells cause resolution degradation. Even with careful layout, the mismatching effect cannot be eliminated completely.

Sheng Feng Lin¹
Graduate School of Engineering Science and Technology, National Yunlin University of Science and Technology
Douliou Yunlin 64002, Taiwan

Chun Wei Lin²
Department of Electronic Engineering, National Yunlin University of Science and Technology
Douliou Yunlin 64002, Taiwan

Conventional pulse-shrinking TDC allows that the pulse width under measurement is shrunk continuously by a pulse-shrinking chain. However, the calibration of the TDC must be done before performing measurement. The cyclic TDCs were therefore presented to simplify calibration process. In addition, the cyclic TDC with multi-stage pulse-shrinking delay line was presented to increase the speed of timing measurement [10].

In this work, we present a cyclic time-to-digital converter based on the multi-stage pulse-shrinking technique for rapidly converting pulse width into the corresponding digital code. The pulse-shrinking cell is utilizing Schmitt trigger instead of conventional inverter pairs. The resolution of pulse-shrinking cell can be precisely adjusted by controlling the high and low threshold voltage of the transition.

II. Overview of Pulse-Shrinking Cell

A. Voltage-Controlled Pulse-Shrinking Cell

The conventional voltage-controlled pulse-shrinking cell is shown in Fig. 1. It consists of a voltage-controlled current-starving inverter followed by an output buffer. The rising propagation delay T_r of the current starving inverter is controlled precisely by the analog bias voltage V_{bias} while the falling propagation delay T_f is controlled by aspect ratio of the transistor M_1 . Thus, the resolution of the pulse-shrinking is the difference ($T_r - T_f$) between the rising and falling propagation delay time.

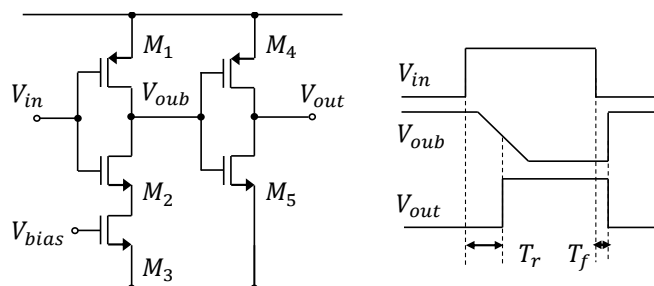


Figure 1. The conventional voltage-controlled pulse-shrinking cell.

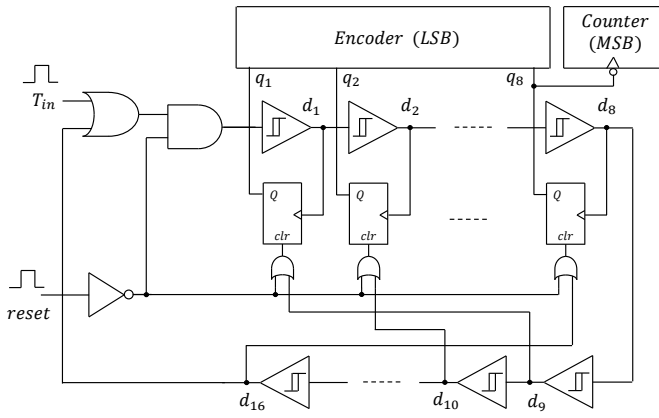


Figure 5. The proposed cyclic TDC.

B. The Proposed Cyclic TDC

The proposed cyclic TDC is shown in Fig. 5 which consists of a control unit (AND gate and OR gate), two pulse-shrinking delay lines, A D flip-flop chain, a digital counter and an output encoder. In Fig. 5, two 3-bit pulse-shrinking delay lines, A and B, are composed of $d_1 \sim d_8$ and $d_9 \sim d_{16}$ respectively. In measurement process, the outputs ($d_1 \sim d_8$) of delay-line A are used to trigger the D flip-flop chain while the outputs ($d_9 \sim d_{16}$) of delay-line B are connected to the same D flip-flop chain as the reset signal. The falling-edge-trigger counter is triggered once delay-line A and B finish shrinking both. Finally, A 8-bit Johnson code ($q_1 \sim q_8$) is produced by the D flip-flop chain and then encoded into the corresponding 4-bit digital code at the end of the measurement process. According to the method mentioned above, the measured time interval T_{meas} can finally be calculated and expressed as:

$$T_{meas} = (number_{counter} \cdot 2^4 + number_{encoder}) \cdot \Delta t \quad (4)$$

, where Δt is the resolution of pulse-shrinking cell, $number_{counter}$ and $number_{encoder}$ are the count of counter and encoder respectively. Based on the multi-stage pulse-shrinking technique, the proposed cyclic TDC can rapidly measure long pulse width as well.

iv. Simulation Result

In this section, we demonstrate the practicability of proposed design through simulating both circuits of Fig. 3 and Fig. 5 in TSMC 0.35 μ m 3.3V process. According to the derived equation in (3), the transistor sizes used for M1, M3 and M5 are 3 μ m/0.35 μ m, 2 μ m/0.5 μ m and 1 μ m/0.35 μ m, respectively. Then, the simulation result for different resolution of Schmitt-Trigger-Based Pulse-Shrinking cell is shown in Fig. 6. The simulation result shows that the pulse-shrinking cell is able to reach very fine resolution even less than 20ps by well tuning the aspect ratio of transistors. To verify the linearity of proposed cyclic TDC, a series of pulses with different width

were fed into the TDC for coding. The measured outputs are reported in Fig. 7. The average resolution is about 20ps. Fig. 8 shows that the differential nonlinearity (DNL) is less than 0.5LSB within the range of 1ns to 5.4ns. In addition, we compared our design with several published techniques and summarized into Table I. It shows the competitiveness of proposed design. Although average power of proposed cyclic TDC is slightly larger than others, the linearity of proposed design is almost comparable to that of other designs.

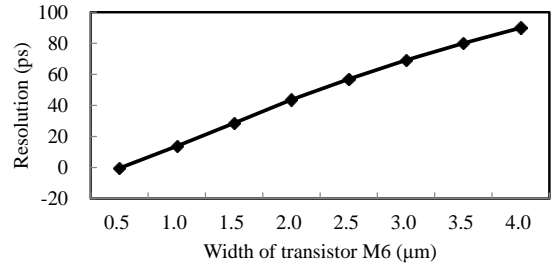


Figure 6. Influence of transistor size on the pulse-shrinking.

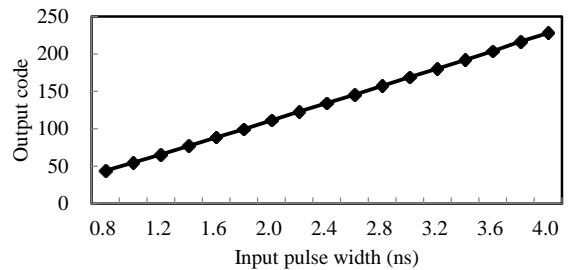


Figure 7. The digital output code of proposed cyclic TDC.

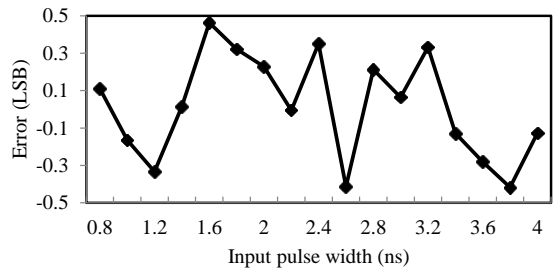


Figure 8. The measured error of proposed cyclic TDC.

TABLE I. COMPARISON OF SEVERAL TECHNIQUES

	[9]	[10]	This work
Technology	0.35 μ m	0.13 μ m	0.35 μ m
Resolution	68ps	20ps	20ps
Error (DNL)	0.8LSB	0.5 LSB	0.5LSB
Power	1.2mW	1.09mW	1.27mW

v. Conclusion

In this paper, we have presented a cyclic time-to-digital converter based on the pulse-shrinking technique. To alleviate the need of external analog bias voltage and calibration process, we utilize the Schmitt trigger as dimension-controlled pulse-shrinking cell instead of voltage-controlled pulse-shrinking cell. This advantage enables the pulse shrinking capability of the pulse-shrinking cell can be completely controlled by the dimension ratio of the transistors. In addition, based on the multi-stage pulse-shrinking technique, the proposed cyclic time-to-digital converter can be applied to rapidly convert long pulse width into the corresponding digital code. The simulation results show that the resolution of proposed design is 20ps and the maximum error is within 0.5LSB under the implement of TSMC 0.35 μ m CMOS process with 3.3V power supply.

Acknowledgment

The authors would like to thank National Chip Implementation Center (CIC) for technical support.

References

- [1] E. Raisanen-Ruotsalainen, T. Rahkonen, J. Kostamovaara, B. Noble, and I.N. Sneddon, "A low-power CMOS time-to-digital converter," *IEEE J. Solid-State Circ. (JSSC)*, vol. 30, no. 9, pp. 984–990, Sept. 1995.
- [2] P.-K. Chen, C.-C. Chen, C.-C. Tsai, W.-F. Lu, "A time-to-digital-converter-based CMOS smart temperature sensor," *IEEE J. Solid-State Circ. (JSSC)*, vol. 40, no. 8, pp. 1642–1648, Aug. 2005.
- [3] A.H. Chan, G.W. Roberts, "A jitter characterization system using a component-invariant Vernier delay line," *IEEE Trans. Very Large Scale Integ. Circ. (TVLSI)*, vol. 12, no. 1, pp. 79–95, Jan. 2004.
- [4] E. Raisanen-Ruotsalainen, T. Rahkonen, J. Kostamovaara, "A time digitizer with interpolation based on time-to-voltage conversion," *IEEE Proc. 40th Midwest Symp. Circ. and Syst.*, pp. 197–200, Aug. 1997.
- [5] P.-K. Chen, K.-M. Wang, C.-Y. Li, P.-Y. Chen, J.-S. Lai, C.-W. Liu, "CMOS time-to-digital converter with low PVT sensitivity 20.8ps resolution and -0.25~0.22 LSB inaccuracy," *IEEE Int'l Conf. ASID*, pp. 127–130, June 2011.
- [6] P. Dudek, S. Szczepanski, J.V. Hatfield, "A high-resolution CMOS time-to-digital converter utilizing a Vernier delay line," *IEEE J. Solid-State Circ. (JSSC)*, vol. 35, no. 2, pp. 240–247, Feb. 2000.
- [7] M.H. Chung, H.P. Chou, "A time-to-digital converter using Vernier delay line with time amplification technique," *IEEE Nuclear Science Symp. and Medical Imaging Conf.*, pp. 772–775, Oct. 2011.
- [8] P.-K. Chen, S.-I. Liu, "A cyclic CMOS time-to-digital converter with deep sub-nanosecond resolution," *IEEE Proc. Custom Integ. Circ.*, pp. 605–608, 1999.
- [9] P.-K. Chen, S.-I. Liu, and J.-S. Wu, "A CMOS pulse-shrinking delay element for time interval measurement," *IEEE Trans. Circuits Syst. II*, vol. 47, no. 9, pp. 954–958, Sept. 2000.
- [10] Y. Liu, U. Vollenbruch, Y.-J. Chen, C. Wicpalek, L. Maurer, Z. Boos, R. Weigel, "Multi-stage pulse shrinking time-to-digital converter for time interval measurements," *IEEE Proc. 2th European Microwave Integ. Circ. Conf.*, pp. 267–270, Oct. 2007.
- [11] R. Szplet, K. Klepacki, "An FPGA-Integrated time-to-digital converter based on two-stage pulse shrinking," *IEEE Trans. Instrument. Measure. (TIM)*, vol. 59, no. 6, pp. 1663–958, June 2010.