

Effective Fast Response Smart Stick for Blind People

Ayat Nada, Samia Mashali, Mahmoud A. Fakh, and Ahmed F. Seddik

Abstract— Visually impaired people find difficulties detecting obstacles in front of them, during walking in the street, which makes it dangerous. The smart stick comes as a proposed solution to enable them to identify the world around. In this paper we propose a solution, represented in a smart stick with infrared sensor to detect stair-cases and pair of ultrasonic sensor to detect any other obstacles in front of the user, within a range of four meters. Moreover, another sensor is placed at the bottom of the stick for the sake of avoiding puddles. Speech warning messages and the vibration motor are activated when any obstacle is detected. This proposed system uses the microcontroller 18F46K80 embedded system, vibration motor and ISD1932 flash memory. The stick is capable of detecting all obstacles in the range 4 meter during 39 ms and gives a suitable respect message empowering blind to move twice his normal speed because she/he feels safe. The smart stick is of low cost, fast response, low power consumption, light weight and ability to fold.

Keywords— Infrared Sensor, Ultrasonic Sensor, Electronic Travel Aids (ETAs), Visually impaired, Blind Navigation.

I. Introduction

Visually impaired people are the people who can't identify smallest detail with healthy eyes. Those who have the visual acuity of 6/60 or the horizontal extent of the visual field with both eyes open less than or equal to 20 degrees, these people are considered blind [1]. Such people are in need of aiding devices for blindness related disabilities. As described in [2] 10% of blind have no usable eyesight at all to help them move around independently and safely. The electronic aiding devices are designed to solve such issue.

To record information about the obstacles presence in a road, active or passive sensors can be used. In case of a passive sensor, the sensor just receives a signal. It detects the reflected, emitted or transmitted electro-magnetic radiation provided by natural energy sources. In case of using an active sensor, the sensor emits a signal and receives a distorted version of the reflected signal. It detects reflected responses from objects irradiated with artificially generated energy sources. These kind of active sensors are capable of sensing and detecting far and near obstacles. In addition, it determines an accurate measurement of the distance between the blind and the obstacle. Overall, in the obstacle detection domain,

four different types of active sensors may be used: infrared, laser, ultrasonic, in addition to radar sensors.

Bat K Sonar [3], Smart Cane [4], Smart vision [5], Guide Cane [6], use ultrasonic sensors or laser sensors to detect obstacles in front of blind by transmitting the wave and reception of reflected waves. It produces either an audio or vibration in response to detected obstacles to warn blind. Systems like vOICe [7], SoundView [8], SVETA [9] and CASBLIP [10], use single camera or stereo video cameras mounted on a wearable device to capture images. These captured images are re-sized, processed further and converted to speech, audio, musical sounds or vibrations. In such systems, the frequency of warning sound signal is correlated with the orientation of pixels. Some advanced systems use Global Positioning System (GPS) integration with the main system. It's also noteworthy that GPS receiver is useful for understanding the current location of the subject and nearby landmarks. Some solutions are already available in the market such as: UltraCanne [11], Isonic [12], and Teletact [13] and others [14]. These products help blind people by collecting information through sensors and then transmitting recommendations through vibration or sound message to the user.

These solutions still have many disadvantages for example;

They can't detect obstructions that are hidden but very dangerous for the blind such as downward stairs, holes etc. Usually, the feedback information comes out as either vibration or sound signals. Thus, these systems communicate their recommendations to the user through sound or frequency vibration.

Consequently, training is then necessary to help the user understand the signals and to react to them in real time. However, such training is sometimes more expensive than the product itself. Therefore, users can't afford it [15]. Otherwise, the information is transmitted as a sound it may be embarrassing for the blind person in public.

In our work we tried to overcome some of disadvantage:

- We designed stick to detect obstacles and its able to recognize and speak aloud the upward and downward stairs or puddles as shown in Fig. 1.
- The training of our product isn't as expensive as training in other product. Our training is just description of stick component and usage position.
- We use two facilities to transmit information to the blind. We integrated vibration motor in the hand of stick and speech warning message kit that preserving it's natural dimension to keep it user friendly.
- With aid of earphone the speech warning message kit is able to speak aloud warning message to the blind

Ayat Nada¹, Samia Mashelly², Mahmoud A. Fakh³
Computers and Systems, Electronics Research Institute,
Giza, Egypt.

Ahmed F. Seddik
Biomedical Engineering, Faculty of Engineering, Helwan University,
Cairo, Egypt.

instead of incomprehensible sound and public embarrassment.

- We achieved very fast response time calculated as 39 ms in average distance ≤ 400 cm before hitting the obstacles.
- Regarding ease of use and independence of blind we added a facility of easy search to the stick in the form of remote (location or positioning of the stick).

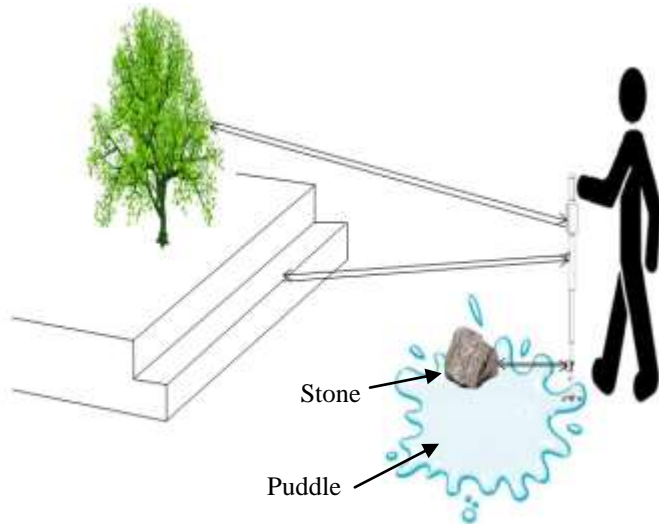


Figure 1. Smart stick detects obstacles in front of the blind.

II. Proposed System

We have many reasons to design smart stick for blind; firstly, the blind to feel free, isn't surrounded by wires as in belt and its content. Secondly, is easy to use because it is familiar and affordable. Thirdly, to be able to detect obstacles that exist on the ground (this is not available in glasses), which he walks indoor and outdoor is faced by obstacles such as stairs, puddles and sidewalks.

The smart stick, as shown in Fig. 2, is basically an embedded system integrating the following: pair of ultrasonic sensor to detect obstacles in front of the blind from ground level height to head level height in the range of 400 cm a head, infrared sensor to detect upward and downward stairs. Ultrasonic sensors and infrared sensor collect real time data and send it to 18F46K80 microcontroller. After processing this data, the microcontroller activates the motor to vibrate and invokes the right speech warning message stored in ISD 1932 through an earphone. Water sensor to detect water spreads, rechargeable battery to power the circuits.

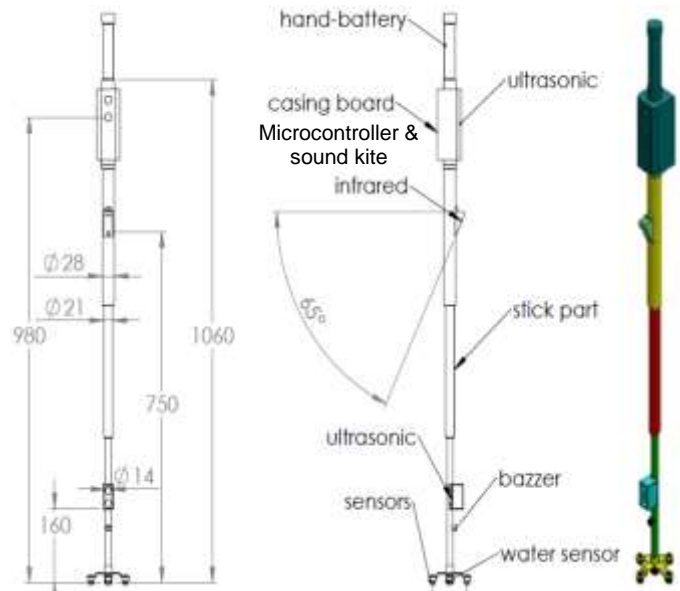


Figure 2. Design of the smart stick Smart stick detects obstacles in front of the blind.

Fig. 3 shows the proposed system. The following subsections will discuss each block in more details.

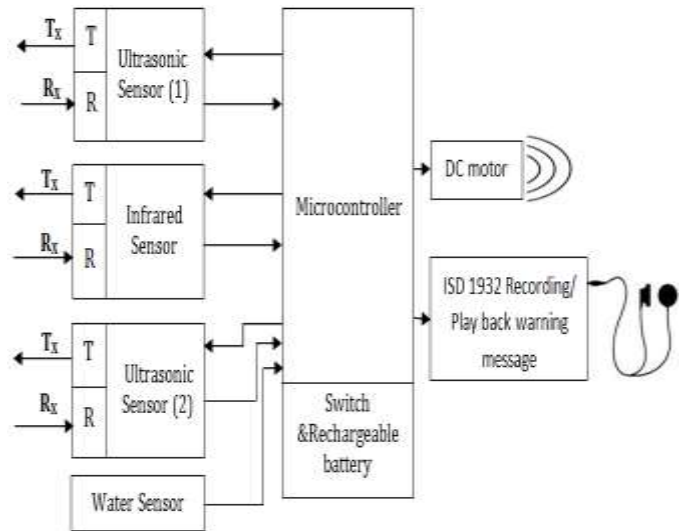


Figure 3. Block diagram of electronic smart stick.

A. Sensors

The selection process of appropriate sensor depends on several factors such as, cost, atmospheric condition, kind of obstacle to be detected, detection range, and the desired precision of measurements collected information and its transmission frequency as shown in Table I.

We used a combination of 2 types of sensors infrared and ultrasonic for the following reasons:

- Infrared sensor recognize small obstacle but with less accuracy than laser sensors. However using laser sensor is costly which contradicts our aim in obtaining affordable aiding devices. They perform almost the same within 2 meter.

b) Ultrasonic sensor work well for close obstacles unlike laser one, when an object is so close the laser sensor (less than 15 cm) can't get an accurate reading. Moreover, it should be noted that radar sensors can easily detect near and far obstacles with equal perform once, but their medium accuracy doesn't allow them detecting small obstacles.

TABLE I. GENERAL CHARACTERISTIC OF SOME ACTIVE SENSORS

	Laser	Infrared	Radar	Ultrasound
Principle	Transmission and reception of light wave	Transmissi on and reception of pulse of IR light	Transmission and reception of microwave	Transmissi on and reception of acoustic waves
Range	SLR: 15cm to 120cm LLR: about 10- 50 m	From 20 cm to 150 cm	about 150- 200 m	From 3 cm to 10 m
Beam width	narrow	fairly thin	Depended on size of antenna	wide
Atmosph eric condition	affected	affected	Affected	Not affected
Cost	Very high	Low	High	Low

SLR: short laser range, LLR: Long laser range

Infrared sensor chosen has a detection range distance that goes from 20 to 200 cm, a resolution of 0.5 cm, a frequency of 26.3 Hz and an analogical output that goes from 0 to 5 V.

Ultrasonic sensor used 40 kHz transmission signal. The 40 kHz frequency is produced by a transmission sensor of two-centimeter diameter; it can generate 2.4644 beams of narrowness. This is a reasonable size to be installed in the stick.

We use the infrared sensor to detect upward and downward stairs because the sensor spot is roughly 6 cm. This feature enables the user to identify precisely, any kind of stairs in front of him.

We use a pair of ultrasonic sensor. An upper one at a height 90 cm to detect upper obstacles and another sensor at a height 30 cm to detect low obstacles.

Detection using ultrasonic sensor is based on two factors:

- Time of flight (TOF), the amount of delay between the emission of a sound and the arrival of an echo depending on the distance of an obstacle, which is directly proportional to the distance.
- Beam size: Obstacle size is depending on amount of reflected wave. Obstacles whose dimensions are larger than the beam size, all of the sound waves will be reflected to receiver. If the obstacle size small as compared to the beam size, the part of the ultrasonic sound wave will be reflected to the receiver and the rest will be lost as shown in Fig. 4.

The speed at which sound travels depends on the medium it passes through. Broadly, the speed of sound is proportional to the square root of the ratio between the stiffness of the medium and its density. The speed of sound also changes with

the atmospheric conditions. All obstacles reflect some part of the wave through. The amplitude of the wave reflected is relatively proportional to how much available surface there is on the obstacle, concerning coherent reflection. Also, surface area, shape and orientation, are major factors contributing to the strength of the reflected signal.

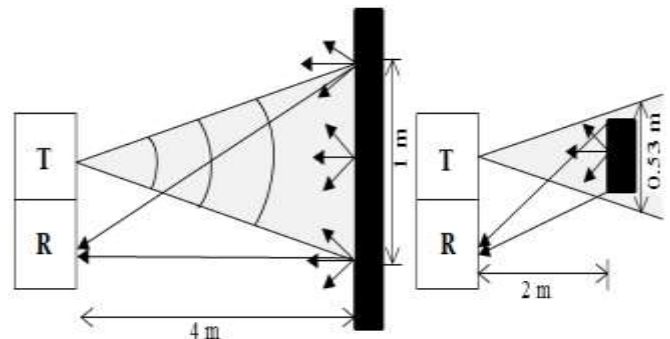


Figure 4. Small and large obstacle detection.

B. PIC Microcontroller 18F46K80

Researchers in [17, 18] used the microcontroller 16F877A. It has 3 disadvantages (1) it has no internal oscillator so we will need an external crystal as a clock source. (2) It has memory 256 bytes of EEPROM. (3) It has 8 channels of 10-bit Analog-to-Digital (A/D) converter.

The microcontroller 18F46k80 (MCU) [16] used to control the embedded system. The PIC microcontroller we used is simplified computer with a processor, memory and support for peripherals. The PIC simply runs the program in its memory when it is turned on and it doesn't have an operating system. It has 200 ns instruction execution, 1024 bytes of EEPROM data memory, self-programming, an 2 ICD, 2 Comparators, 11 channels of 10-bit Analog-to-Digital (A/D) converter, 1 capture/ compare/ PWM functions, a synchronous serial port that can be configured as either 3-wire SPI or 1- 12wire C bus, a USART, and a Parallel Slave Port. Regulator LM7805 used to regulate the volt to +5V which input to microcontroller if the input voltage exceeds +5V.

As shown in Fig. 5. When the MCU is started, it produces a 40 kHz wave with the duration of 300µs. It generates the pulse that will drive the ultrasonic emitter. After sending the pulse, the ADC of MC will read and convert the received wave from each ultrasonic receiver into a digital form. If the ultrasonic sensor received the signal, MC will calculate the distance. If the infrared sensor received the signal, MC will calculate average of the signal shape and amplitude. Accordingly, MC invokes the right speech warning message through an earphone. The proposed system was simulated using Proteus software (Simulation Program) [19] as shown in Fig. 6. The program code was written using C language.



Figure 5. Flowchart of the proposed system.

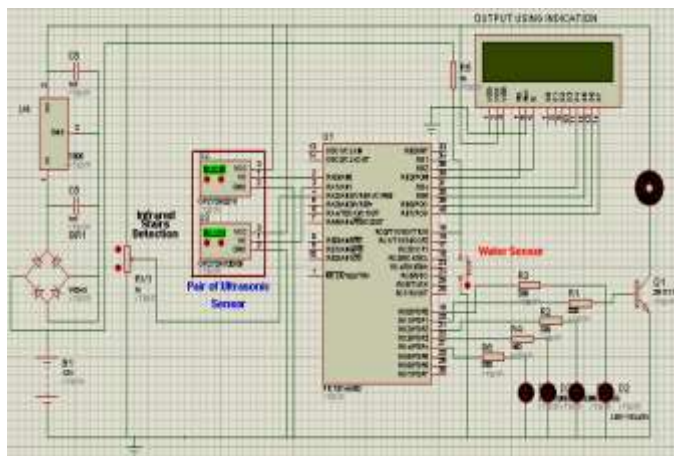


Figure 6. The whole circuit design using Proteus simulation.

C. Speech Warning Message

Many researchers [5, 6, 14] used vibration array or buzzer based audio frequency clips for announcing any detection of obstacles. The proposed stick uses pre-recorded speech messages for conveying any detection of obstacle. It uses ISD1932 [20] circuit that contains a multiple-message recording and playback device. This circuit can record up to 64

seconds per message. It includes microphone inputs and speaker outputs as shown in Fig. 7.

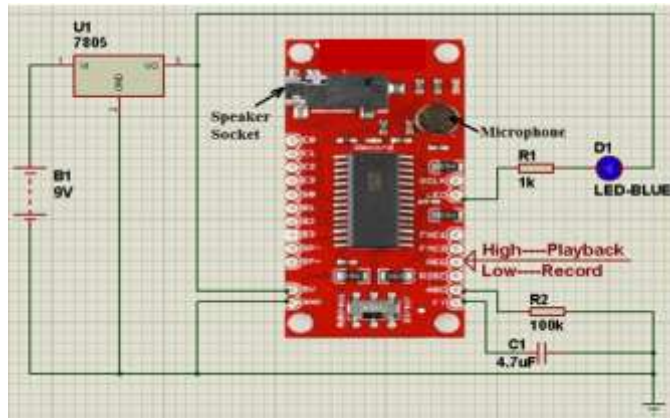


Figure 7. Voice record circuit in direct mode

In the proposed system, we have recorded sixteen different speech warning messages depending on the distances to alert the user. We have added a capacitor of 4.7 μ F and an external resistor of 100K Ω necessary to decrease recording duration to 21.2sec per message.

D. Water Sensor

Water sensors available are used to detect water levels inside tanks and very expensive. Our objective is to detect water existence regardless its level. So we used a costless alternative. Two wire probes are shown in Fig. 8; they fit at the bottom of the stick to sense obstacle like water pits, puddles and water spread. Once wires touch water, the circuit is shorted, this interrupts the microcontroller, activates the vibration motor and play warning message saying: "Attention there is water".

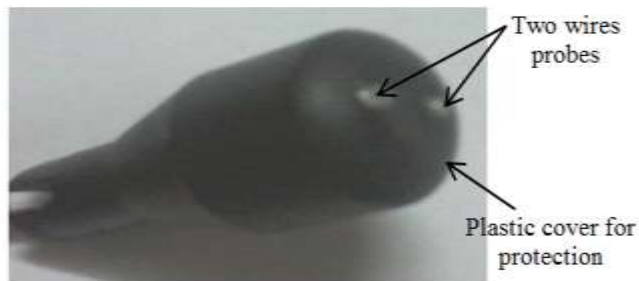


Figure 8. Water sensor

E. Vibration Motor

This is the type of DC vibration motors used in mobile phones. It requires a voltage supply of 3V to 5V with current around 125 mA. This type of motors can be programmed to control its speed by using the PWM (Pulse Width Modulation) method. The PWM signal is generated from the TMR2 timer via interrupt control on RC2 and RC1 pins to gate this PWM to active the vibration. The diameter of the motor is 0.5 cm and the thickness is 2.5mm.

F. Calling the Stick

We used FM “frequency modulation” wireless communication to help the blind person to find the stick if it is far from him.

Fig. 9 shows an RF transmitter that generates radio frequency waves in its circuits, and to this 'carrier signal', it adds the information part by modulating the carrier signal. This composite signal (carrier plus information) is then fed to an antenna. An RF receiver receives the signal at the same frequency from the atmosphere, by altering the Electric and Magnetic fields from its own antenna.

The receiver circuits then strip the information part of the signal from the carrier part, and amplify this to a useful level for audio.



Figure 9. RF transmitter and receiver

III. Results and Discussion

Ultrasonic sensors, infrared sensor, PIC 18F46K80 and ISD1932 are tested individually as well as integrated. As ultrasonic sensors work on principle of echo, studying of its reflection on different obstacle is very important.

The measurement cycle starts with microcontroller transmitting the 10µs high level pulse to the sensor trigger pin to start ranging (T1), then the sensor will send out ultrasonic signal with 40 kHz and 450µs (T2) and then wait to capture the rising edge output by echo port (T3) from 150µs: 25ms, depending on measured distance as shown in Fig. 10. In case of no obstacle (no signal reflected) it waits 38ms before it restarts transmission.

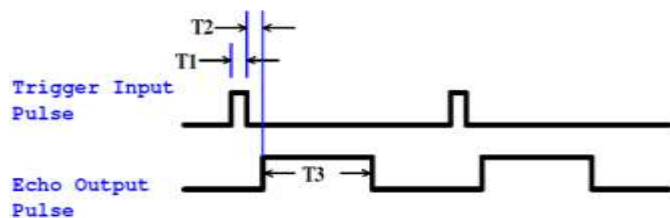


Figure 10. Timing diagram

Ultrasonic distance sensor uses time of flight (TOF) to detect obstacle - the output is a digital pulse which length is the time it takes for the sound to reach the target and return.

Several experiments were done on obstacles at different distance and the average TOF results are shown in Fig. 11.

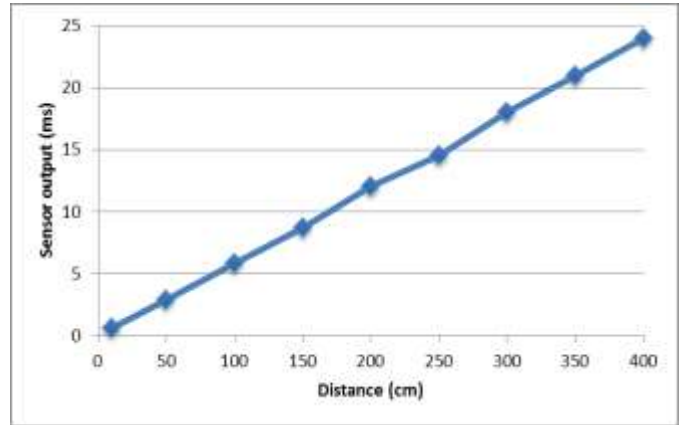


Figure 11. Time of flight vs measured distance of ultrasonic sensor

TABLE II. RESULT OF ULTRASONIC SENSOR COMPARISON

Distance (cm)	Analog value calculated (mV)	Analog value measured (mV)	error
5	25	24	1 mv
10	50	48.8	1.8 mv
20	100	97.6	2.4 mv
30	150	146.4	3.6 mv
40	200	195.3	4.7 mv
50	250	244.15	5.85 mv
75	375	366	9 mv
100	500	489	11 mv
150	750	732	16 mv
200	1000	976.6	23.4 mv
250	1250	1220.7	29.3 mv
300	1500	1464.9	35.1 mv
350	1750	1709	41 mv
400	2000	1953.2	46.8 mv

We tested how the ultrasonic sensors performance in lab compared to simulated calculation. TABLE II and Fig. 12 are present comparison of the ultrasonic sensor analog voltage value between the calculation value and measurement value. Thereafter the error is calculated in small range 5:50 cm error is 1– 6 mv, medium range 75:200 cm error is 9 – 23 mv and far range 250:400 cm error is 30 – 47 mv.

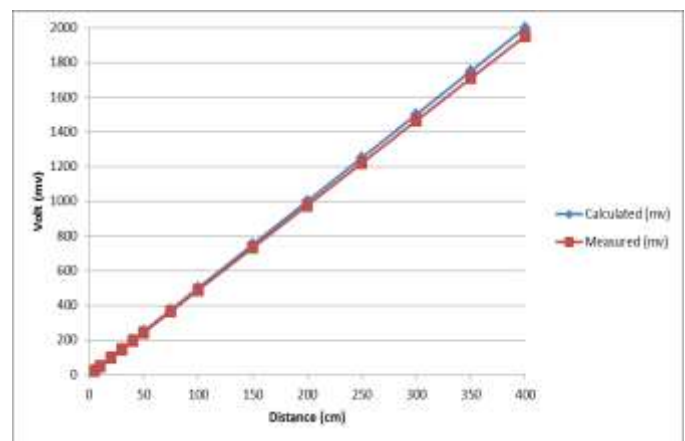


Figure 12. Difference between calculated and measured value

TABLE III. COMPARISON OF OTHER DEVICES

Devices	Detection Range	Time Response	Power Consumption	Stairs & Water Detection	Portable
Proposed System	High	Fast	Low	Yes	Yes
Vibration and Voice Operated Navigation System for Visually Impaired Person	Low	medium	Low	No	Yes
A Smart Infrared Microcontroller-Based Blind Guidance System	Medium	Fast	Low	No	yes
Ultrasonic Spectacles and Waist-belt for Visually Impaired and Blind Person	High	Fast	Low	No	yes

To evaluate the performance of this stick, testing is performed in real world, by actual beneficiaries (trained and untrained) blind people. Two experiments have been carried out using a number of obstacles. The experiment was conducted by six blind people from which two were trained on using the stick and four were not.

During experiment, a blind person was asked to walk through the testing area where different type of obstacles has been placed within 15 meter range. The user's walking speed is recorded. Time taken by trained and untrained for successfully walking through the obstacles is measured as shown in Fig. 13. Then we calculated the average speed of trained users to be 0.80 m/s and untrained users to be 0.41 m/s. In comparison with the traveling speed of the sighted people be (1.4 m/s). This result shows that training of the user reflected in gaining twice traveling speed and also increased the user trust in avoiding obstacles in free path.

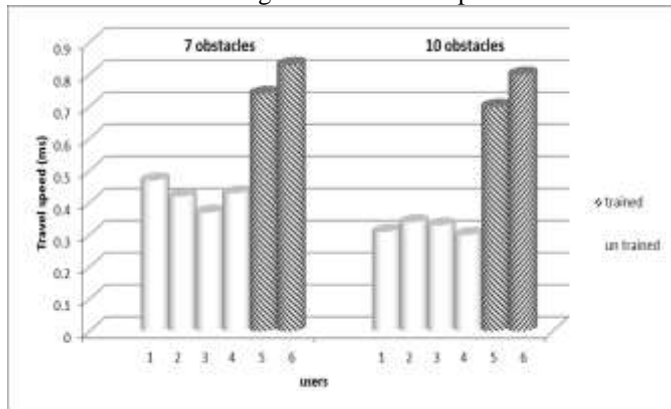


Figure 13. Performance and accuracy of the smart stick

The proposed system should be compared with available and up to date technology. Several parameters should be considered to evaluate the performance of the proposed guidance system such as the range of detection, time response and power consumption.

- The first parameter is the range of detection. A tool which can find obstacles throughout 0-2m can be considered as a low range device, 2-4m as medium range, while higher than 4m is considered as high range.
- The second parameter is the response time, and a system sensing and responding 0–100ms is regarded as fast, 100–200ms medium and higher than 200ms as slow.
- The third important parameter is the power consumption of the system and how long it will stay working without the need to recharge. The following ratings are considered: consumption of an electrical power of 0–0.5W is regarded as low power, 0.5–1W as medium consumption, and higher than 1W as high consumption.
- The device is portable if it is light in weight and the user can easily wear for extended period of time otherwise it is considered non-portable.

We compared our performance with last 5 years literature with 3 devices. Vibration and Voice Operated Navigation System for Visually Impaired Person [17] consists of three ultrasonic sensors, PIC microcontroller 16F877A using the feedback through vibration and voice alerts the user if any obstacle is around and within 70cm, A Smart Infrared Microcontroller-Based Blind Guidance System [18] consists of three infrared sensor, microcontroller 16F877A using feedback through vibration and tune speakers warn the user if any obstacles is around within 2 m, Ultrasonic Spectacles and Waist-belt for Visually Impaired and Blind Person [21] consists of five ultrasonic sensors, APR9600 audio recording and playback flash memory, earphone with AT89S52 microcontroller. The comparison is shown in TABLE III.

iv. Conclusion

The Smart Stick acts as a basic platform for the coming generation of more aiding devices to help the visually impaired to be more safe. It is effective and afford. It leads to good results in detecting the obstacles lying ahead of the user in a range of four meters, detecting stairs and water pits.

This system offers a low-cost, reliable, portable, low-power consumption and robust solution for navigation with obvious short response time. Though the system is hard-wired with sensors and other components, it's light in weight. Further aspects of this system can be improved via wireless connectivity between the system components, thus, increasing the range of the ultrasonic sensor and implementing a technology for determining the speed of approaching obstacles. While developing such an empowering solution, visually impaired and blind people in all developing countries were on top of our priorities.

Acknowledgment

This research was supported by Academy of Scientific Research and Technology (ASRT), through the funding of the electronics research Institute (ERI) through support the implementation of innovative initiatives to contribute to solving some of the problems of society.

References

- [1] World Health Organization, "Visual Impairment and Blindness," Fact sheet N "282", Oct 2014.
- [2] National Disability Policy: A Progress Report - October 2014, National Council on Disability, Oct 2014.
- [3] T. Terlau and W. M. Penrod, "K'Sonar Curriculum Handbook", Available from: "<http://www.aph.org/manuals/ksonar.pdf>", June 2008
- [4] L. Whitney, "Smart cane to help blind navigate", Available from: "http://news.cnet.com/8301-17938_105-10302499-1.html", 2009.
- [5] J.M. Hans du Buf, J.Barroso, Jojo M.F. Rodrigues, H.Paredes, M.Farrajota, H.Fernandes, J.Jos, V.Teixeira, M.Saleiro."The SmartVision Navigation Prototype for Blind Users". International Journal of Digital Content Technology and its Applications, Vol.5 No .5, pp. 351 – 361, May 2011.
- [6] I. Ulrich, and J. Borenstein, "The guide cane-Applying mobile robot technologies to assist the visually impaired," IEEE Transaction on Systems, Man, and Cybernetics-Part A: Systems and Humans, vol. 31, no. 2, pp. 131-136, 2001.
- [7] P. Meijer, "An Experimental System for Auditory Image Representations," IEEE Transactions on Biomedical Engineering, vol.39, no 2, pp. 112-121, Feb 1992.
- [8] M. Nie, J. Ren, Z. Li et al., "SoundView: an auditory guidance system based on environment understanding for the visually impaired people," in Proceedings of the 31st Annual International Conference of the IEEE Engineering in Medicine and Biology Society: Engineering the Future of Biomedicine (EMBC '09), pp.7240–7243, IEEE, September 2009.
- [9] G. Balakrishnan, G. Sainarayanan, R. Nagarajan and S. Yaacob, "Wearable Real-Time Stereo Vision for the Visually Impaired," Engineering Letters, vol. 14, no. 2, 2007.
- [10] G. P. Fajames, L. Dunai, V. S. Praderas and I. Dunai, "CASBLiP- a new cognitive object detection and orientation system for impaired people," Proceedings of the 4th International Conference on Cognitive Systems, ETH Zurich, Switzerland, 2010.

- [11] B.Hoyle, D.Withington, D.Waters, "UltraCane", Available from: "<http://www.soundforesight.co.uk/index.html>". June 2006.
- [12] E. Kee, "iSONIC cane for the virtually impaired", Available from: "<http://www.ubergizmo.com/2011/01/isonic-cane-for-the-virtually-impaired/>", 2011.
- [13] R.Farcy, R.Leroux, R.Damaschini, R.Legras, Y.Bellik, C.Jacquet, J.Greene, P.Pardo, "Laser Telemetry to improve the mobility of blind people: report of the 6 month training course", ICOST 2003 1st International Conference On Smart homes and health Telematics" Independent living for persons with disabilities and elderly people, Paris, pp. 24-26, 2003.
- [14] Amit kumar, M. Manjunatha and J. Mukhopadhyay, "An Electronic Travel Aid for Navigation of Visually Impaired Person," Proceeding of the 3rd International Conference on Communication Systems and Networks, pp.1-5, 2011.
- [15] Bouhamed, Sonda Ammar, Imene Khanfir Kallel, and Dorra Sellami Masmoudi. "New electronic white cane for stair case detection and recognition using ultrasonic sensor." International Journal of Advanced Computer Science & Applications 4.6, 2013.
- [16] Design of non-weighting type desert plant lysimeter observation system based on PIC18. In Information Management, Innovation Management and Industrial Engineering (ICIII), 6th International Conference on IEEE, Vol. 3, pp. 42-44, 2013.
- [17] N.Mahmud, R.K.Saha, R.B. Zafar, M.B.H. Bhuiyan, and S.S.Sarwar, "Vibration and Voice Operated Navigation System for Visually Impaired Person," In Informatics, Electronics & Vision (ICIEV), International Conference on IEEE, pp. 1-5, 2014.
- [18] Amjed S. Al-Fahoum, Heba B. Al-Hmoud, and Ausaila A. Al-Fraihat, "A Smart Infrared Microcontroller-Based Blind Guidance System". Active and Passive Electronic Components, 2013.
- [19] Su, B., & Wang, L. "Application of Proteus virtual system modelling (VSM) in teaching of microcontroller". In E-Health Networking, Digital Ecosystems and Technologies (EDT), 2010 International Conference on Vol. 2, pp. 375-378, 2010.
- [20] Direct mode ISD 1932. (2009, January 5) [Online]. https://www.futurashop.it/...PDF_ENG/7300-ISD1932.pdf.
- [21] Bhatlawande, Shripad S., Jayant Mukhopadhyay, and Manjunatha Mahadevappa. "Ultrasonic spectacles and waist-belt for visually impaired and blind person." Communications (NCC), National Conference on. IEEE, 2012.