

Simulation of Cascode LNA Using Ladder Matching Networks for Wireless Applications

Mohamad Shukor Amin¹, Engr.Zan Aizuwan Zainal Abidin², Mohamad Fadzil Basir Ahmad³, Engr.
 Dr.Abu Bakar Ibrahim⁴

Abstract: This paper presents a design of Cascode LNA using ladder matching network applicable for wireless applications. It's using the FHX76LP Low Noise SuperHEMT FET transistor. The LNA designed used Ladder-matching network consisting of lump reactive element at the input and the T-matching network at output terminal. The cascode low noise amplifier (LNA) produced gain of 19.23 dB and noise figure (NF) of 1.03 dB. The input reflection (S_{11}) and output return loss (S_{22}) are -15.3 dB and -12.7 dB respectively. The bandwidth of the amplifier recorded is 1.5 GHz. The input sensitivity is compliant with the IEEE 802.16 standards.

Keyword: Cascode LNA, Radio Frequency, Ladder -Matching Network

I. INTRODUCTION

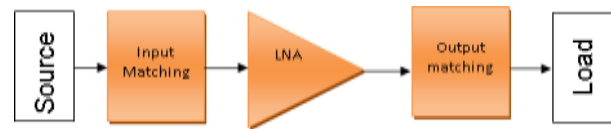
In the recent years, the wireless communication system become the main type of communication in the world[1]. The field of Radio Frequency (RF) design is a growing one as a result of increased demand for wireless products. A microwave amplifier is one of RF system that becomes the most important part and extremely advanced with the involvement of microwave active and passive circuits [1]. WiMAX, which is short for Worldwide Interoperability for Microwave Access, is a novel wireless communication technology. It is an attractive technology due to the high transmitting speed (up to 70Mbps) and long transmitting distance (up to 30 mile). The system bases on IEEE 802.16 standards and uses several bands (2.3-2.7 GHz, 3.4-3.6 GHz and 5.1-5.8GHz) to transmit data. The design of the front-end low noise amplifier (LNA) is one of the challenges in radio frequency (RF) receivers, which needs to provide good input impedance match, enough power gain and low noise figure (NF) within the required band [2],[8]. Many high gain amplifier topologies have been proposed as a way to satisfy the requirement for low power dissipation as well as good performances. The cascode techniques to produces results in a higher bandwidth and gain, due to the increase in the output impedance, as well as better isolation between the input and output ports [3],[7].

II. THEORETICAL ASPECTS

Initially, when designing an amplifier, the input and output matching network are consider to achieve the required stability, small signal gain, and bandwidth. Super high frequency amplifier is a typical active circuit used to amplify the amplitude of RF signal. Basic concept and consideration in design of super high frequency amplifier is presented in this paper. The LNA designed, the formula and equation were referred to [4]. Figure 1, shows a typical single-stage amplifier including input/output matching networks. The basic concept of high frequency amplifier

design is to match input/output of a transistor at high frequencies using S-parameters frequency characteristics at a specific DC-bias point with source impedance and load impedance. Input/output matching circuit is essential to reduce the unwanted reflection of signal and to improve efficiency of the transmission from source to load [4], [5].

Figure 1: Typical amplifier design



A. Power Gain

Several power gains were defined in order to understand operation of super high frequency amplifier. Figure 2, show that power gains of 2-port circuit network with power impedance or load impedance at power amplifier. The power amplifiers represented with scattering coefficients are classified into Operating Power Gain, Transducer Power Gain and Available Power Gain [4],[5].

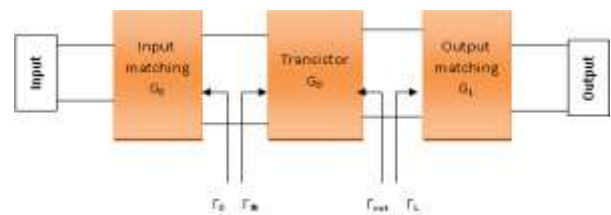


Figure 2: I/O circuit of 2-port network

B. Operating Power Gain

Operating power gain is the ratio of load power (P_L) delivered to the load (Z_L) to input power (P_{in}) supplied to 2-port network. Power delivered to the load is the difference between the power reflected at the output port and the input power, and power supplied to 2-port network is the difference between the input power at the input port and the reflected power. Therefore, Operating Power Gain is represented by

$$G_p = \frac{\text{Power delivered to the load}}{\text{power supplied to the amplifier}} \quad (1)$$

$$= \frac{P_L}{P_{in}} = \frac{1}{1 - |\Gamma_{in}|^2} |S_{21}|^2 \frac{1 - |\Gamma_L|^2}{|1 - S_{22}\Gamma_L|^2}$$

Where, Γ_{in} indicates reflection coefficient of load at the input port of 2-port network and Γ_s is reflection coefficient of power supplied to the input port.

C. Transducer Power Gain

Transducer Power Gain is the ratio of P_{avs} , maximum power available from source to P_L , power delivered to the load. As maximum power is obtained when input impedance of circuit network is equal to conjugate complex number of power impedance, if $\Gamma_{in} = \Gamma_s^*$, transducer power gain is represented by

$$G_T = \frac{\text{Power delivered to the load}}{\text{Power Available from the source}} \quad (2)$$

$$= \frac{P_L}{P_{avs}} = \frac{|S_{21}|^2 (1 - |\Gamma_s|^2)(1 - |\Gamma_L|^2)}{|(1 - S_{11}\Gamma_s)(1 - S_{22}\Gamma_L) - (S_{12}S_{21}\Gamma_s\Gamma_L)|^2}$$

Where, Γ_L indicates load reflection coefficient.

D. Available Power Gain

Available Power Gain, G_A is the ratio of P_{avs} , power available from the source, to P_{avn} , power available from 2-port network, that is, $G_A = \frac{P_{avn}}{P_{avs}}$. Power gain is P_{avn} when $\Gamma_{in} = \Gamma_s^*$. Therefore Available Power Gain is given by:

$$G_A = \frac{\text{Power available from the amplifier}}{\text{Power available from the source}} \quad (3)$$

$$= \frac{P_{avn}}{P_{avs}} = \frac{1 - |\Gamma_s|^2}{|1 - S_{11}\Gamma_s|^2} |S_{21}|^2 \frac{1}{|1 - S_{22}\Gamma_L|^2}$$

That is, the above formula indicates power gain when input and output are matched [5].

E. Noise Figure

Signals and noises applied to the input port of amplifier were amplified by the gain of the amplifier and noise of amplifier itself is added to the output. Therefore, SNR (Signal to Noise Ratio) of the output port is smaller than that of the input port. The ratio of SNR of input port to that of output port is referred to as noise figure and is larger than 1 dB. Typically, noise figure of 2-port transistor has a minimum value at the specified admittance given by formula:

$$F = F_{\min} + \frac{R_N}{G_s} |Y_s - Y_{opt}|^2 \quad (4)$$

Where, R_N is the equivalent noise resistance of two ports. F_{\min} is the minimum noise factor obtained by adjusting tuners at the input of the amplifier. The normalized presented by the tuners at F_{\min} is Y_{opt} . With $Y_s = Y_s/Z_0$ being the actual normalized admittance.

For low noise transistors, manufactures usually provide F_{\min}, R_N, Y_{opt} by frequencies. N defined by formula for desired noise figure:

$$N = \frac{|\Gamma_s - \Gamma_{opt}|^2}{1 - |\Gamma_s|^2} = \frac{F - F_{\min}}{4R_N/Z_0} |1 + \Gamma_{opt}|^2 \quad (5)$$

F. Condition for Matching

The scattering coefficients of transistor were determined. The only flexibility permitted to the designer is the input/output matching circuit. The input circuit should match to the source and the output circuit should match to the load in order to deliver maximum power to the load. After stability of active device is demand, input/output matching circuits should be designed so that reflection coefficient of each port is correlated with conjugate complex number as given below [6]:

$$\Gamma_{IN} = \Gamma_s^* = S_{11} + \frac{S_{12}S_{21}\Gamma_L}{1 - S_{22}\Gamma_L} \quad (6)$$

$$\Gamma_{OUT} = \Gamma_L^* = S_{22} + \frac{S_{12}S_{21}\Gamma_s}{1 - S_{11}\Gamma_s} \quad (7)$$

The noise figure of the first stage of the receiver overrules noise figure of the whole system. To get a minimum noise figure using a transistor, power reflection coefficient should match with Γ_{opt} and load reflection coefficient should match with Γ_{out}^*

$$\Gamma_s = \Gamma_{opt} \quad (8)$$

$$\Gamma_L = \Gamma_{out}^* = \left(S_{22} + \frac{S_{12}S_{21}\Gamma_s}{1 - S_{11}\Gamma_s} \right) \quad (9)$$

III. DESIGN OF LNA

The proposed topology, shown in Fig. 3(a) and (b) uses a ladder matching network for input matching network port, while the T-matching network uses at the output port respectively to provider the good performance in term of stability, power gain and S-Parameter.

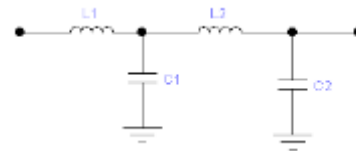


Figure 3(a) : Ladder matching network for Input

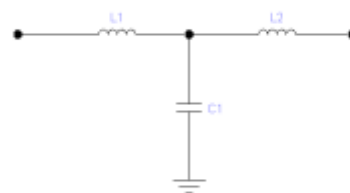


Figure 3(b) : T-Matching network for Output

The goals in LNA design are to maximize its gain and minimize its noise figure with sufficient linearity and impedance matching [1]. In order to achieved the key demands for WiMAX receiver characteristics, a LNA is designed should be met are the noise figure less than 3 dB and power gain should be more than 20 dB. Also good input and output impedance matching to achieved the s-parameter values.

Figure 3(a) shows, the complete schematic circuit of 5.8 GHz a Cascode Low noise amplifier. It was simulated using the same software to fine and further optimized for a better performance. For purpose of fabrication, the inductances and capacitances need to be converted to microstrip layout. Figure 3(b) shows, the complete schematic layout. The Duriod 5880 TYL-0200 was selected for fabricate. The LNA parameter is shown in Table I.

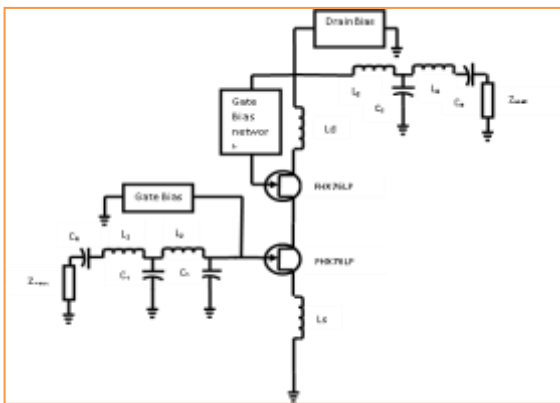


Figure 3(a): The Schematic Circuit for Cascode LNA

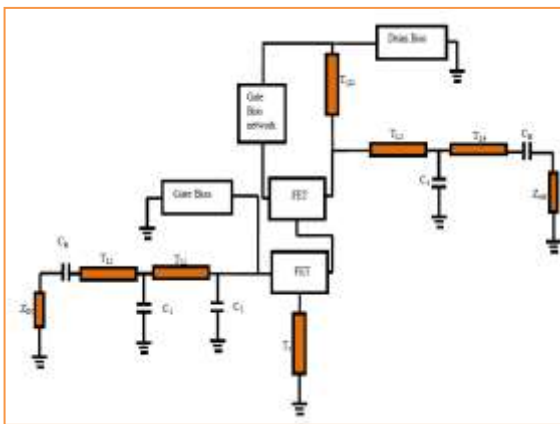


Figure 3(b): The Schematic Layout for Cascode LNA

Table I: LNA Parameters

Component	Width (mm)	Length (mm)
TL ₁ =3.24nH	W = 1.554	L=15.25
TL ₂ =1.23nH	W = 1.554	L=6.07
TL ₃ =0.40pF	W = 1.554	L=12.44
TL ₃ =0.24pF	W = 1.554	L=10.44
TL ₄ =1.55nH	W = 1.554	L=7.64
TL ₅ =1.62nH	W = 1.554	L=7.98
TL ₆ =0.43pF	W = 1.554	L=18.95

IV. SIMULATION RESULT

Table II shows the s-parameters output of Cascode LNA. It is simulated using Advanced Design System (ADS). The simulation recorded that the power gains S_{21} is 19.23 dB. The input return loss S_{11} is -15.3 dB; overall noise figure (NF) of 1.03 dB and the output return loss S_{22} is -12.7 dB. The reflection loss S_{12} is -21.4 dB. These values were within the design specification and were accepted. The outputs S-parameter are shows in Figure 4a and 4b. Figure 4a shows the input and output return loss. Figure 4b show the noise figure and the stability.

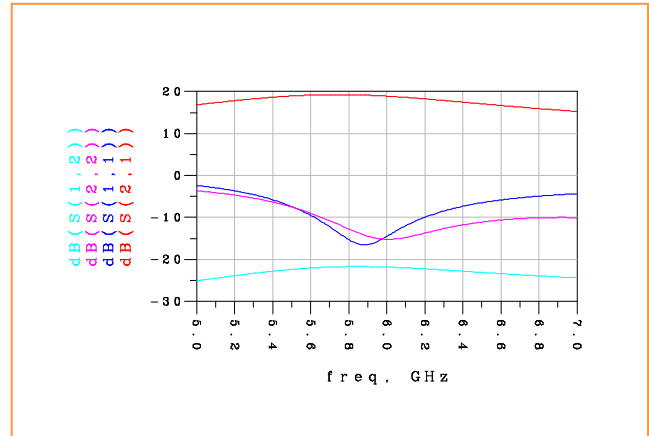


Figure 4(a): S_{22} and S_{11}

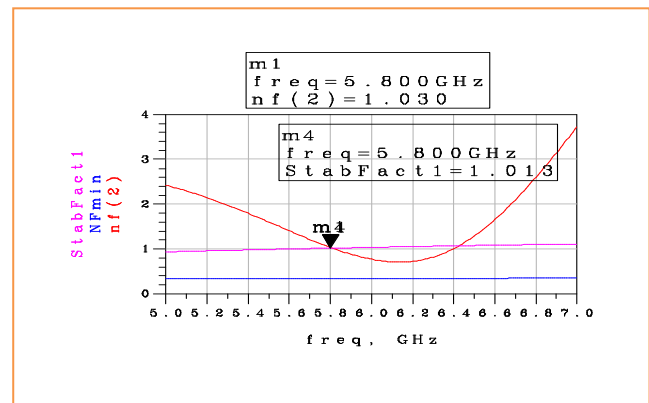


Figure 4(b): Noise Figure and stability factor (k)

Table II: Simulation Results

S Parameters	Targeted	Simulated
Input Reflection S_{11} dB	<-10 dB	-15.3
Return Loss S_{12} dB	<-10 dB	-21.4
Forward transfer S_{21} dB	>50 dB	19.23
Output Reflection S_{22} dB	<-10 dB	-12.7
NF dB	<3 dB	1.03
BW MHz	>1000	1500

V. CONCLUSION

A cascaded low noise amplifier with ladder matching techniques has been simulated and designed. The simulation results have to meet for 802.16 standards for WiMAX applications. It is observed that the simulated and targeted results giving almost the same figure as required. It observed that the gain of the simulated analysis is 19.2 dB. It is important to take note when designing the amplifier to match the amplifier circuits. The 5.8 GHz LNA has been developed successfully and the circuit contributed to the front end receiver at the described frequency. For better performance in gain of the amplifier, it can be achieved by increasing the number of stages to improve the gain and noise figure of the design [9]. Higher gain would expand the coverage or communication distance.

REFERENCES

- [1] Jelana Mistic. "Wideband Low Noise Amplifier for Long Term Evolution Systems". Proceeding of the 5th Systems Simulation Symposium 2014.
- [2] Ruey-Lue Wang, Shih-Chih Chen, Cheng-Lin Huang, Chien-Hsuan Lie, Yi-Shu Lin. "2-6GHz Current-Reused LNA With Transformer-type Inductors." IEEE Proceeding 2008.
- [3] Leon, Michael Angelo G. Lorenzo and Maria Theresa G. De. "Comparison of LNA Topology for Wimax Application in a Standard 90-nm CMOS Process." 12th International Conference on Computer Modelling and Simulation. 2010. pp-642-647.
- [4] M. Pozar, David. Microwave and RF Wireless System. Third Avenue, N.Y. John Wiley & Sons, in 2001.
- [5] Gonzalez, Guillermo. Microwave Transistor Amplifier. 1996.
- [6] Othman A.R, Hamidon A.H, Ting J.T.H and Mustaffa M.F. "High Gain Cascaded Low Noise Amplifier Using T-Matching Network." 4th ISBC 2010.
- [7] Weber, Wuezhan Wang and Robert. "Design of a CMOS Low Noise Amplifier (LNA) at 5.8GHz and its Sensitivity Analysis." 11th NASA Symposium 2003.
- [8] IEEE Computer Society and IEEE Microwave Theory Technique and Society. Part 16 Air Interface For Fix Broadband Wireless System, IEEE Standard 802.16.2004
- [9] Inder J. Bahl. Fundamentals of RF and Microwave Transistor Amplifier. 2009



Abu Bakar Ibrahim received the B.S degree in electrical engineering and master degree from Universiti Teknologi Malaysia in 1998 and 2000 respectively. Currently I'm received the PhD in Electronic Engineering (Communication) from Universiti Teknikal Malaysia Melaka in 2013. Research interest includes the development of low noise amplifier. Now work at Politeknik Ungku Omar Malaysia.



Mohamad Shukor bin Amin received B.S degree in electrical engineering and master degree of Universiti Teknologi Malaysia 1997 and 1999 respectively. He interest includes the development of electrical circuit and wiring Technology. Now he joined Politeknik Merlimau Melaka Malaysia.



Zan Aizuwan bin Zainal Abidin received B.S degree in electrical engineering and master degree of Universiti Tun Hussain Onn Malaysia 2002 and 2004 respectively. He interest includes the development of electrical safety and remote sensing Technology. Now he joined Politeknik Merlimau Melaka Malaysia.



Mohamad Fadzil Basir Ahmad received his B. Eng degree in electrical engineering from University of Technology Malaysia and M.Sc in OSH Management from Northern University of Malaysia in 1999 and 2009 respectively. He had the opportunity to undergo industrial internship in Insteng Process Automation in Cardiff and Environment Canada, Toronto. Now he is a Head of Program in Seberang Perai Polytechnic.